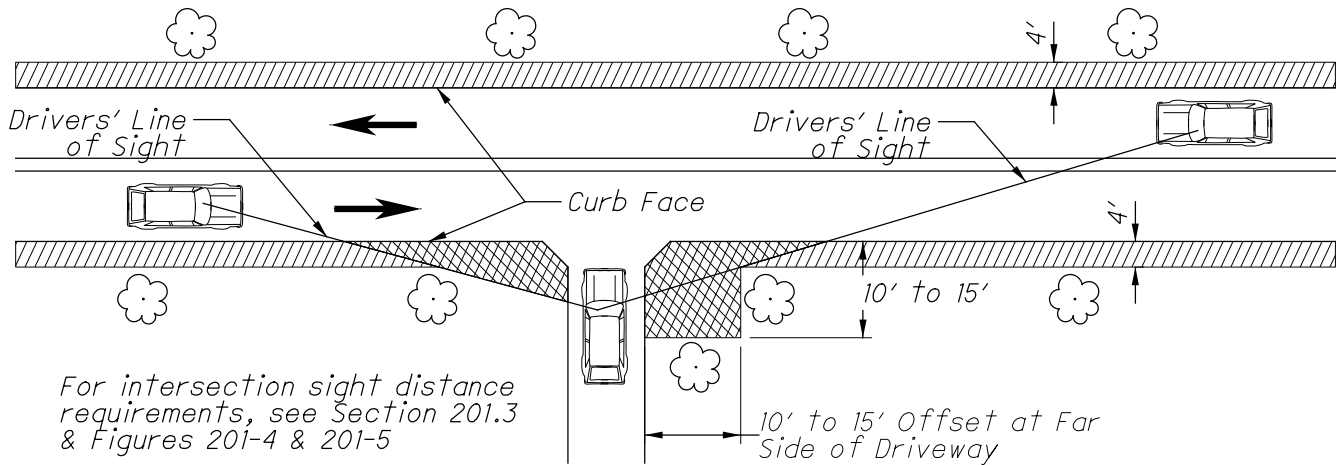


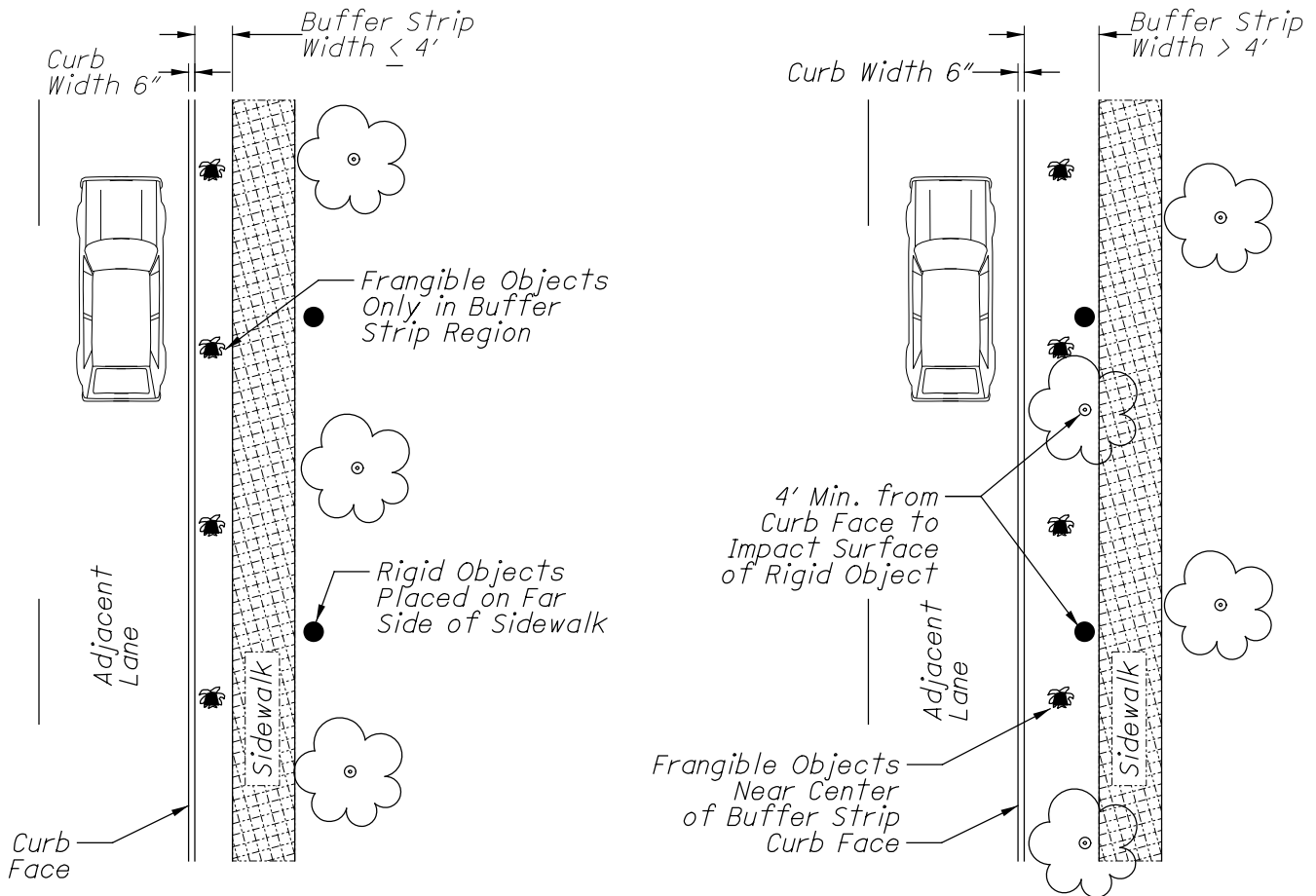
URBAN LATERAL OFFSETS AT DRIVEWAYS AND SIDEWALK BUFFER STRIPS

600-4

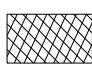
REFERENCE SECTION
600.2.2



ROADSIDE LATERAL OFFSETS AT DRIVEWAYS



LANDSCAPE AND RIGID OBJECT PLACEMENT FOR BUFFER STRIPS

 Lateral Offset due to Driveway

 Std. Recommended Lateral Offset

 Sidewalk