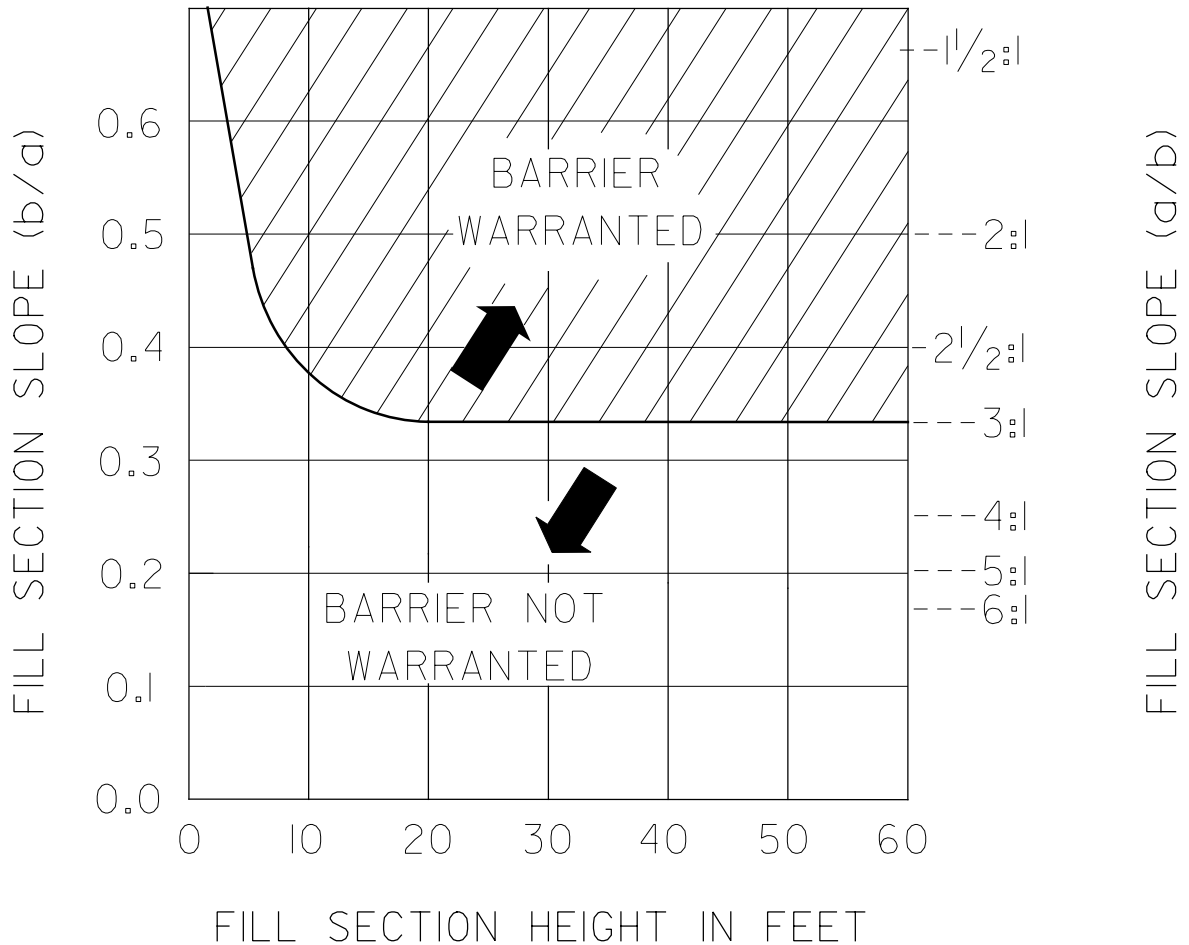
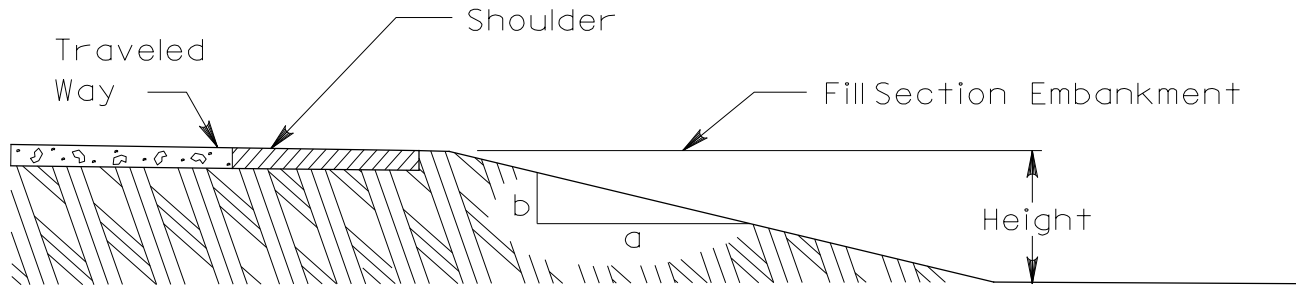


# BARRIER WARRANTS FOR EMBANKMENTS

601-1

REFERENCE SECTIONS  
601:1.2



On or below the curve barrier is not warranted for embankment. However, check barrier need for other roadside hazards within the clear zone.