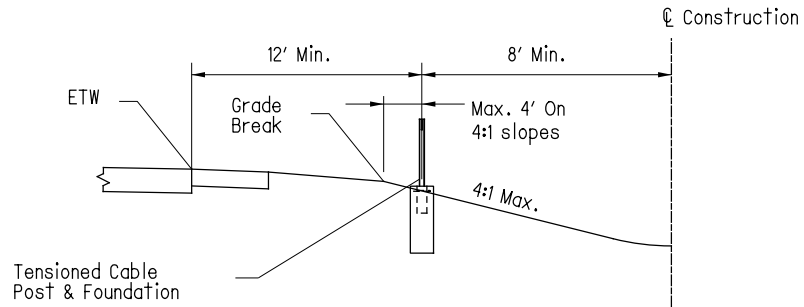


TENSIONED CABLE MEDIAN PLACEMENT

602-3b

REFERENCE SECTIONS
602.2.2 & 603.1.1

Edge of Traveled Way : ETW



TENSIONED CABLE TYPICAL CROSS-SECTION PLACEMENT