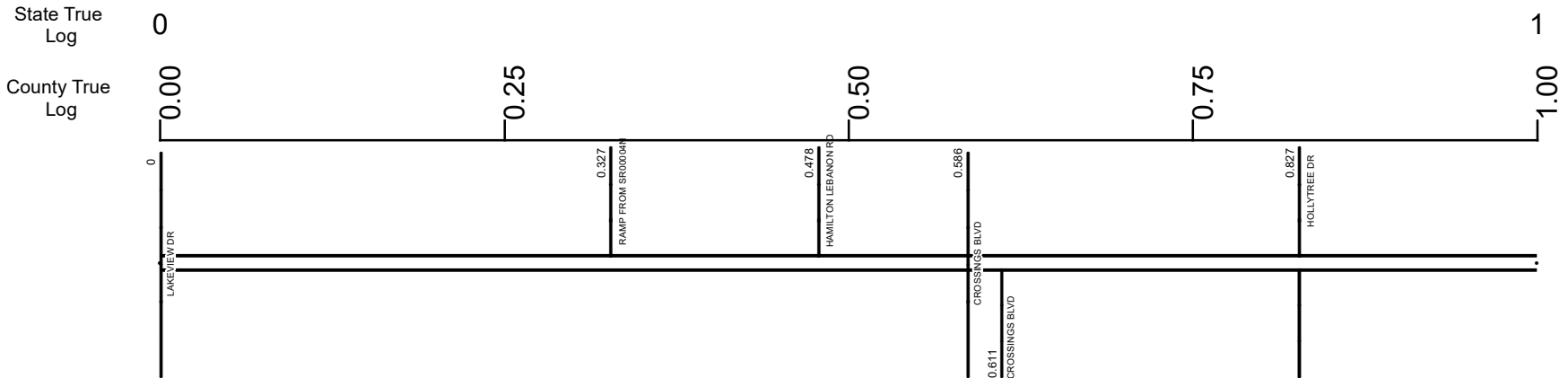


SBUTSR00063**C



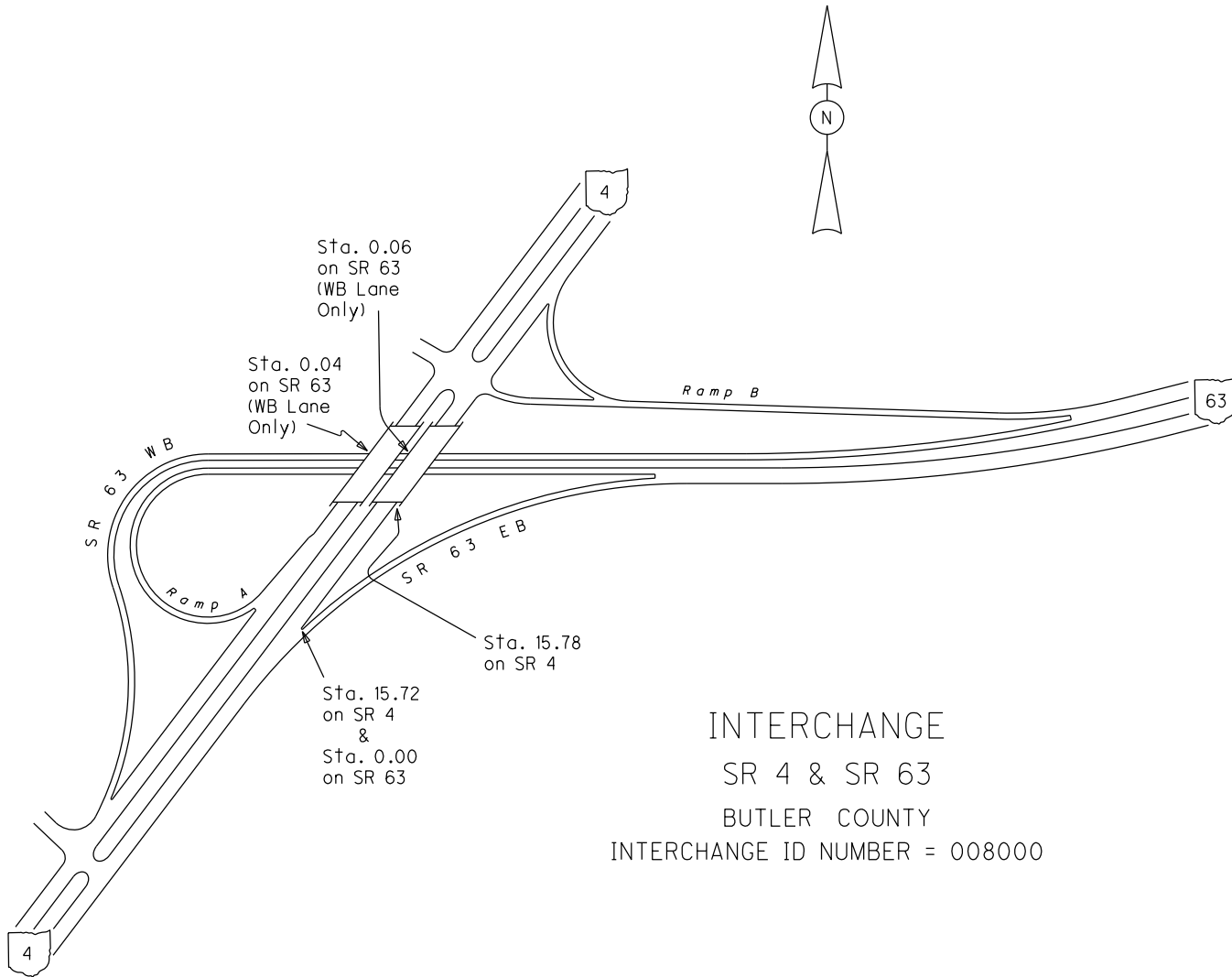
Surface Type & Width (Left / Right)	
G 32' 0 - 0.201	G 48' 0.201 - 4.358
Base Type (Left / Right)	
I 0 - 0.201	K / I 0.201 - 1.307
Shoulder Type & Width (Left / Right)	
5 (11'/11') 0 - 0.201	5 (12'/12') 0.201 - 4.358
Median Type and Width	
2 (9999') 0 - 0.201	2 (32') 0.201 - 4.358
Through Lanes	
2 0 - 0.201	4 0.201 - 4.843
Street Name	
HAMILTON LEBANON RD 0 - 4.843	

- Non-divided Highway
- Divided Highway
- Secondary Segment
- Corporation
- Bridge (on route)
- Underpass
- Overpass
- Railroad (at grade)
- Railroad (underpass)
- Railroad (overpass)
- Intersection

Created on: 6/24/2025

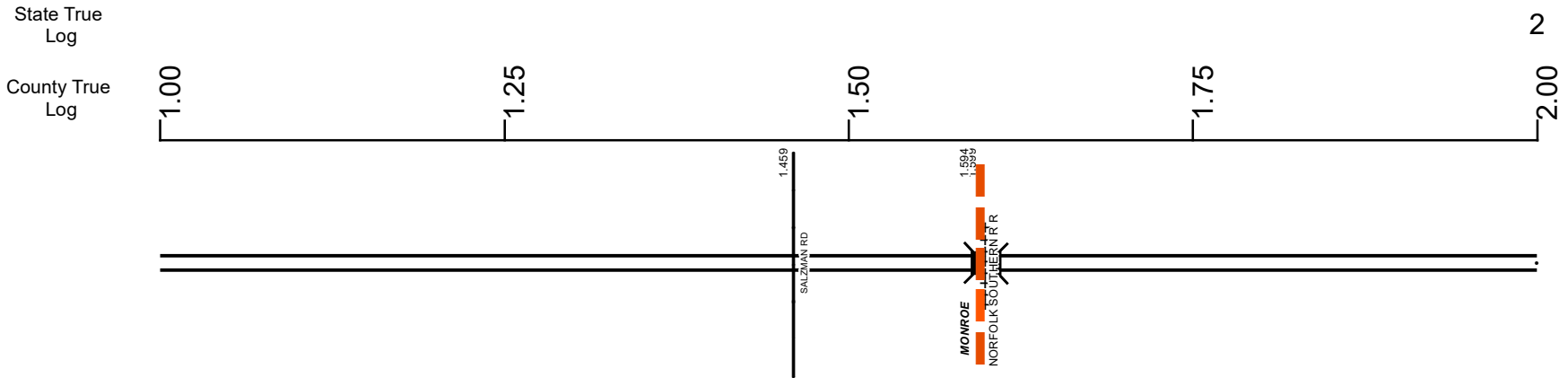
transportation.ohio.gov

Prepared by
 The Ohio Department of Transportation
 Office of Technical Services
 Roadway Information



INTERCHANGE
 SR 4 & SR 63
 BUTLER COUNTY
 INTERCHANGE ID NUMBER = 008000

SBUTSR00063**C



Surface Type & Width (Left / Right)	
G 48'	0.201 - 4.358
Base Type (Left / Right)	
K / I	I
0.201 - 1.307	1.307 - 1.868
Shoulder Type & Width (Left / Right)	
5 (12'/12')	
0.201 - 4.358	
Median Type and Width	
2 (32')	
0.201 - 4.358	
Through Lanes	
4	
0.201 - 4.843	
Street Name	
HAMILTON LEBANON RD	
0 - 4.843	

- | | | | |
|---|---|---|---|
| <ul style="list-style-type: none"> Non-divided Highway Divided Highway Secondary Segment Corporation | <ul style="list-style-type: none"> Bridge (on route) Underpass Overpass | <ul style="list-style-type: none"> Railroad (at grade) Railroad (underpass) Railroad (overpass) | <ul style="list-style-type: none"> Intersection |
|---|---|---|---|

Created on: 6/24/2025

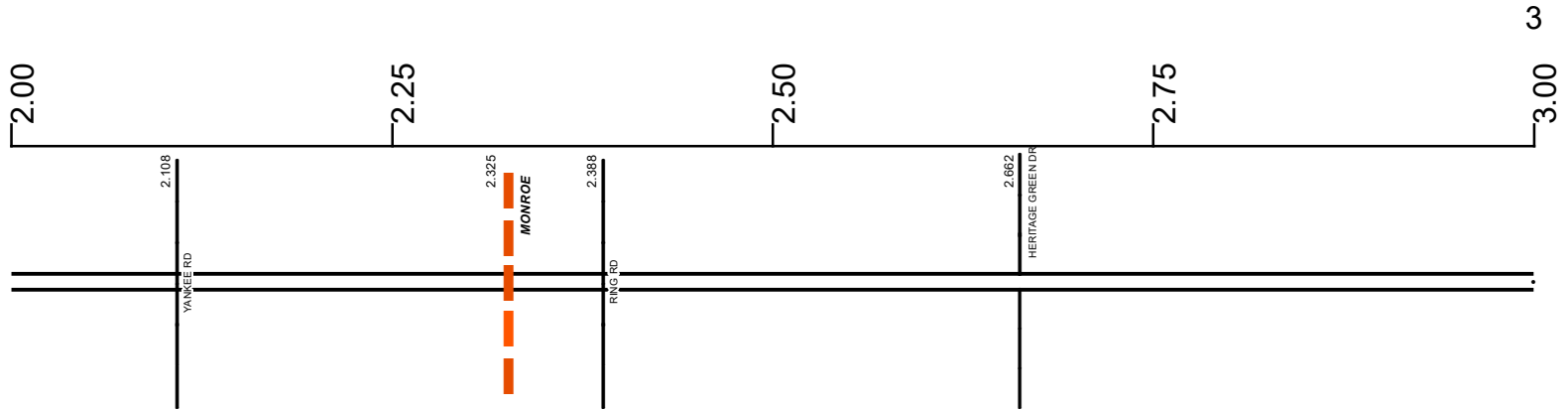
transportation.ohio.gov

Prepared by
The Ohio Department of Transportation
Office of Technical Services
Roadway Information

SBUTSR00063**C

State True Log

County True Log



Surface Type & Width (Left / Right)

G 48'
0.201 - 4.358

Base Type (Left / Right)

K / I	I
1.868 - 2.078	2.078 - 4.358

Shoulder Type & Width (Left / Right)

5 (12'/12')
0.201 - 4.358

Median Type and Width

2 (32')
0.201 - 4.358

Through Lanes

4
0.201 - 4.843

Street Name

HAMILTON LEBANON RD
0 - 4.843

- | | | | |
|---------------------|-------------------|----------------------|--------------|
| Non-divided Highway | Bridge (on route) | Railroad (at grade) | Intersection |
| Divided Highway | Underpass | Railroad (underpass) | |
| Secondary Segment | Overpass | Railroad (overpass) | |
| Corporation | | | |

Created on: 6/24/2025

transportation.ohio.gov

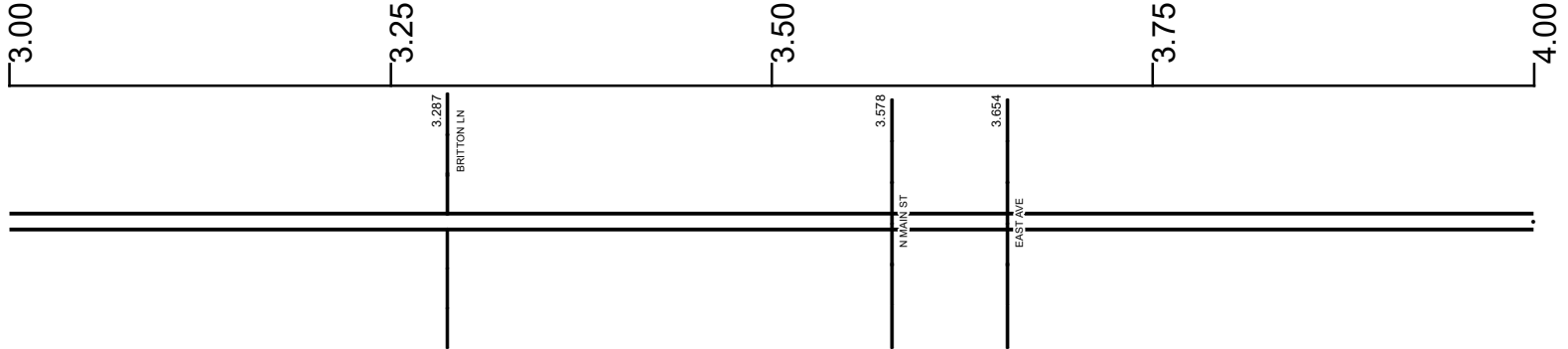
Prepared by
The Ohio Department of Transportation
Office of Technical Services
Roadway Information

SBUTSR00063**C

State True Log

4

County True Log



Surface Type & Width (Left / Right)

G 48'
0.201 - 4.358

Base Type (Left / Right)

I
2.078 - 4.358

Shoulder Type & Width (Left / Right)

5 (12'/12')
0.201 - 4.358

Median Type and Width

2 (32')
0.201 - 4.358

Through Lanes

4
0.201 - 4.843

Street Name

HAMILTON LEBANON RD
0 - 4.843

- | | | | |
|---------------------|-------------------|----------------------|--------------|
| Non-divided Highway | Bridge (on route) | Railroad (at grade) | Intersection |
| Divided Highway | Underpass | Railroad (underpass) | |
| Secondary Segment | Overpass | Railroad (overpass) | |
| Corporation | | | |

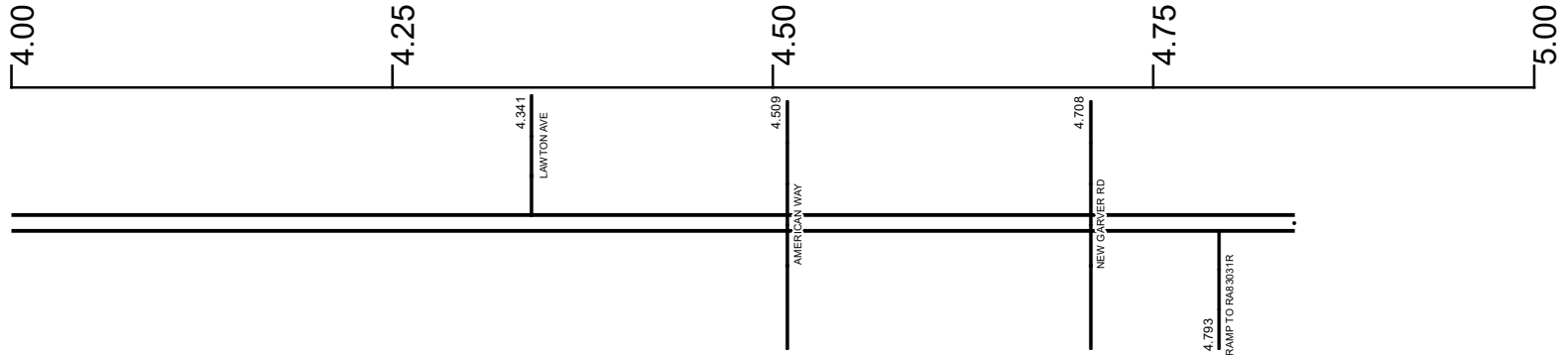
Created on: 6/24/2025

SBUTSR00063**C

State True Log

4.843

County True Log



Surface Type & Width (Left / Right)

G 48'	E 56'	E (40'/38')	E 80'
0.201 - 4.358	4.358 - 4.508	4.508 - 4.708	4.708 - 4.843

Base Type (Left / Right)

I
2.078 - 4.358

Shoulder Type & Width (Left / Right)

5 (12'/12')	3 (10'/10')
0.201 - 4.358	4.358 - 4.843

Median Type and Width

2 (32')	3 (12')
0.201 - 4.358	4.358 - 4.843

Through Lanes

4
0.201 - 4.843

Street Name

HAMILTON LEBANON RD
0 - 4.843

- Non-divided Highway
- Divided Highway
- Secondary Segment
- Corporation
- Bridge (on route)
- Underpass
- Overpass
- Railroad (at grade)
- Railroad (underpass)
- Railroad (overpass)
- Intersection

Created on: 6/24/2025

transportation.ohio.gov

Prepared by
The Ohio Department of Transportation
Office of Technical Services
Roadway Information

Historical Project List for SBUTSR00063**C

Begin Measure	End Measure	Project ID Number	Construction Completion Date	Treatment Category	Treatment Type
4.370	4.730	24664	6-2012	Minor Rehabilitation	60-AC Overlay w/Rpr

Roadway Codes

Access Control Journalized

- F - Full Access Control
- L - Limited Access Control
- N - No Access Control

Access Control Operational

- 1 - Full Access Control
- 2 - Partial Access Control
- 3 - No Access Control

Base Type

- F - Crack and Seat
- H - Rubblize and Roll
- I - Aggregate Base 304 or Traffic Compacted
- K - Water Bound Macadam
- L - Bituminous Concrete Mix or Penetration Macadam
- N - Plain Concrete
- P - Reinforced Concrete
- R - Brick (Flexible)
- T - Brick (Rigid)

Direction of Travel

- B - Both (Two-way)
- F - One-way Cardinal
- T - One-way Non-cardinal

Facility Type

- 1 - One-way Roadway
- 2 - Two-way Roadway
- 4 - Ramp
- 5 - Non-mainline
- 6 - Non-inventory Direction
- 7 - Planned / Unbuilt

Historical Federal Aid Indicator

- N - Not a FAP Route
- Y - FAP Route

Functional Classification

- 01 - Interstate
- 02 - Principal Arterial (Freeways)
- 03 - Principal Arterial (Other)
- 04 - Minor Arterial
- 05 - Major Collector
- 06 - Minor Collector
- 07 - Local

Leave / Reenter Indicator

- Y - Route leaves/reenters at this point
- N - Route does not leave/reenter at this point

Median Type

- 1 - None
- 2 - Unprotected
- 3 - Curbed
- 4 - Positive Barrier (Unspecified)
- 5 - Positive Barrier (Flexible)
- 6 - Positive Barrier (Semi-rigid)
- 7 - Positive Barrier (Rigid)

NHS

- N - National Highway System
- H - Congressional Corridor
- 2 - Major Airport
- 3 - Major Port Facility
- 4 - Major Amtrak Station
- 5 - Major Rail / Truck Terminal
- 6 - Major Intercity Bus Terminal
- 7 - Major Public Transit / Multi-modal Passenger Terminal
- 8 - Major Pipeline Terminal
- 9 - Major Ferry Terminal

Priority System

- G - General
- P - Priority System
- U - Urban

Scenic Byway Code

- A - All American Road
- N - National Scenic Byway
- S - State Scenic Byway

Shoulder Type

- 1 - None
- 2 - Surfaced shoulder exists (bituminous concrete {AC})
- 3 - Surfaced shoulder exists (Portland Cement Concrete {PCC})
- 4 - Stabilized shoulder exists (gravel or other granular material)
- 5 - Combination shoulder exists (two or more surface types)
- 6 - Earth shoulder exists
- 7 - Barrier curb exists; no shoulder in front of curb

Surface Type

- A - Combination
- B - Brick
- C - Continuous Reinforced Concrete
- D - Reinforced Concrete
- E - Plain Concrete
- G - Bituminous Concrete
- I - Chipseal on Granular
- K - Open Graded Bituminous
- L - Chipseal or Micro
- M - Gravel
- U - Unimproved
- X - Right of Way Only