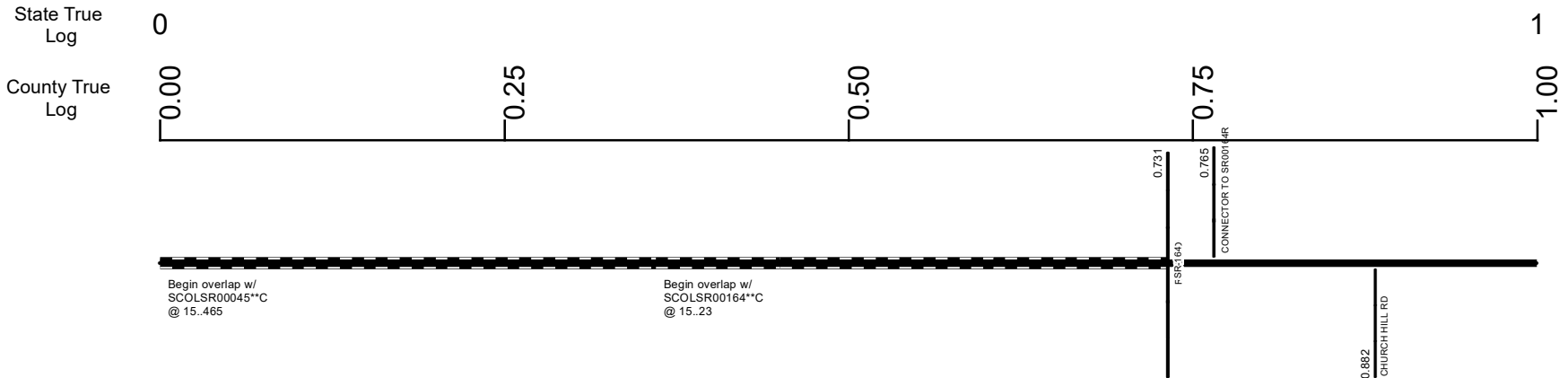


# SCOLSR00517\*\*C



### Surface Type & Width (Left / Right)

G 20'  
0.731 - 8.461

Base Type (Left / Right)  
K  
0.731 - 8.461

Shoulder Type & Width (Left / Right)  
2 (5/5)  
0.731 - 8.461

Through Lanes  
2  
0.731 - 8.461

Street Name  
SR 517  
0.731 - 8.461

Non-divided Highway	Bridge (on route)	Railroad (at grade)	Intersection
Divided Highway	Underpass	Railroad (underpass)	
Secondary Segment	Overpass	Railroad (overpass)	
Corporation			

Created on: 6/24/2025

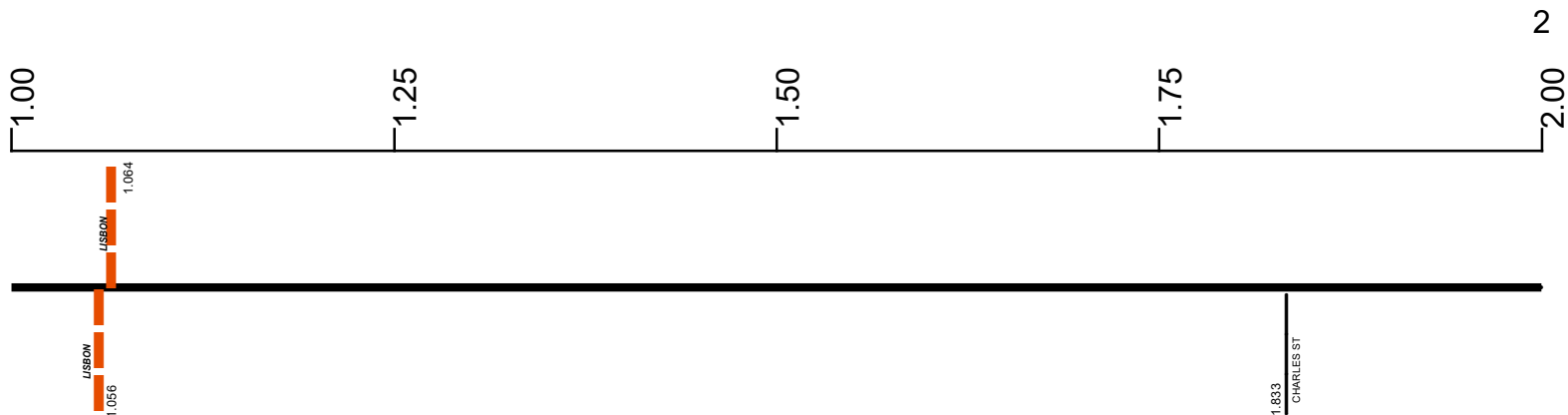


transportation.ohio.gov  
Prepared by  
The Ohio Department of Transportation  
Office of Technical Services  
Roadway Information

# SCOLSR00517\*\*C

State True Log

County True Log



Surface Type & Width (Left / Right)

G 20'  
0.731 - 8.461

Base Type (Left / Right)

K  
0.731 - 8.461

Shoulder Type & Width (Left / Right)

2 (5/5)  
0.731 - 8.461

Through Lanes

2  
0.731 - 8.461

Street Name

SR 517  
0.731 - 8.461

- Non-divided Highway
- Divided Highway
- Secondary Segment
- Corporation
- Bridge (on route)
- Underpass
- Overpass
- Railroad (at grade)
- Railroad (underpass)
- Railroad (overpass)
- Intersection

Created on: 6/24/2025

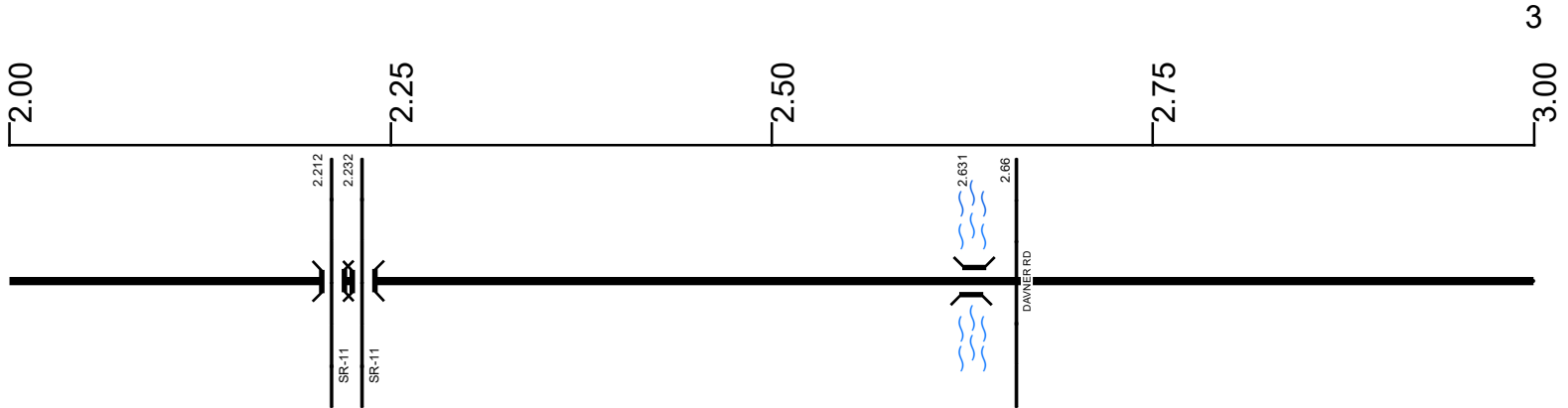


transportation.ohio.gov  
Prepared by  
The Ohio Department of Transportation  
Office of Technical Services  
Roadway Information

# SCOLSR00517\*\*C

State True Log

County True Log



Surface Type & Width (Left / Right)	G 20'
	0.731 - 8.461
Base Type (Left / Right)	K
	0.731 - 8.461
Shoulder Type & Width (Left / Right)	2 (5/5)
	0.731 - 8.461
Through Lanes	2
	0.731 - 8.461
Street Name	SR 517
	0.731 - 8.461

Non-divided Highway	Bridge (on route)	Railroad (at grade)	Intersection
Divided Highway	Underpass	Railroad (underpass)	
Secondary Segment	Overpass	Railroad (overpass)	
Corporation			

Created on: 6/24/2025



transportation.ohio.gov  
 Prepared by  
 The Ohio Department of Transportation  
 Office of Technical Services  
 Roadway Information

# SCOLSR00517\*\*C

State True Log

4

County True Log



Surface Type & Width (Left / Right)

G 20'  
0.731 - 8.461

Base Type (Left / Right)

K  
0.731 - 8.461

Shoulder Type & Width (Left / Right)

2 (5/5)  
0.731 - 8.461

Through Lanes

2  
0.731 - 8.461

Street Name

SR 517  
0.731 - 8.461

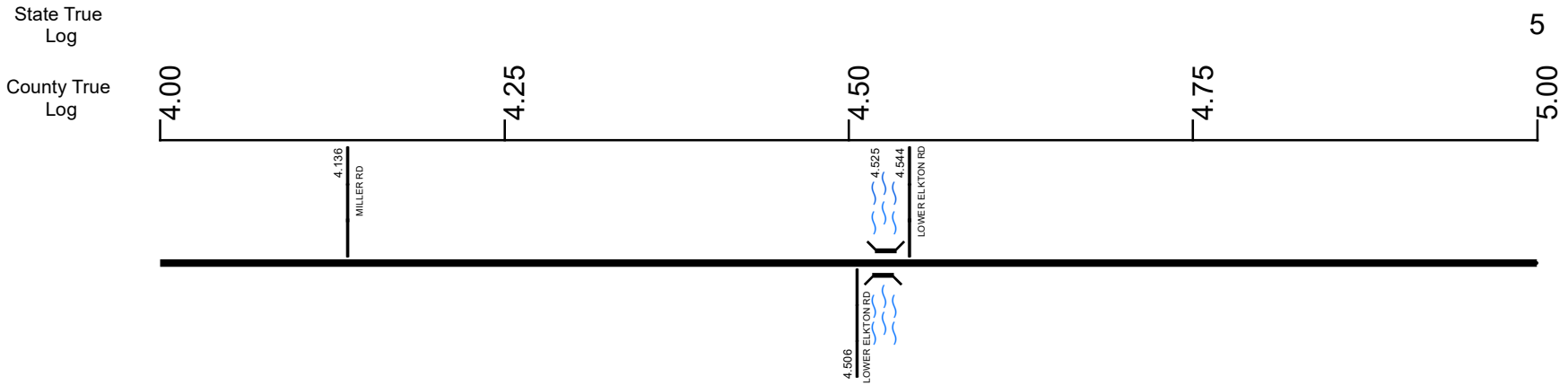
- Non-divided Highway
- Divided Highway
- Secondary Segment
- Corporation
- Bridge (on route)
- Underpass
- Overpass
- Railroad (at grade)
- Railroad (underpass)
- Railroad (overpass)
- Intersection

Created on: 6/24/2025

transportation.ohio.gov

Prepared by  
The Ohio Department of Transportation  
Office of Technical Services  
Roadway Information

# SCOLSR00517\*\*C



Surface Type & Width (Left / Right)	G 20' 0.731 - 8.461
Base Type (Left / Right)	K 0.731 - 8.461
Shoulder Type & Width (Left / Right)	2 (5/5) 0.731 - 8.461
Through Lanes	2 0.731 - 8.461
Street Name	SR 517 0.731 - 8.461

Non-divided Highway	Bridge (on route)	Railroad (at grade)	Intersection
Divided Highway	Underpass	Railroad (underpass)	
Secondary Segment	Overpass	Railroad (overpass)	
<b>Corporation</b>			

Created on: 6/24/2025



transportation.ohio.gov  
 Prepared by  
 The Ohio Department of Transportation  
 Office of Technical Services  
 Roadway Information

# SCOLSR00517\*\*C

State True Log

6

County True Log



5.538  
FAIRFIELD SCHOOL RD

Surface Type & Width (Left / Right)

G 20'  
0.731 - 8.461

Base Type (Left / Right)

K  
0.731 - 8.461

Shoulder Type & Width (Left / Right)

2 (5/5)  
0.731 - 8.461

Through Lanes

2  
0.731 - 8.461

Street Name

SR 517  
0.731 - 8.461

- Non-divided Highway
  Bridge (on route)
  Railroad (at grade)
  Intersection
- Divided Highway
  Underpass
  Railroad (underpass)
- Secondary Segment
  Overpass
  Railroad (overpass)
- Corporation**

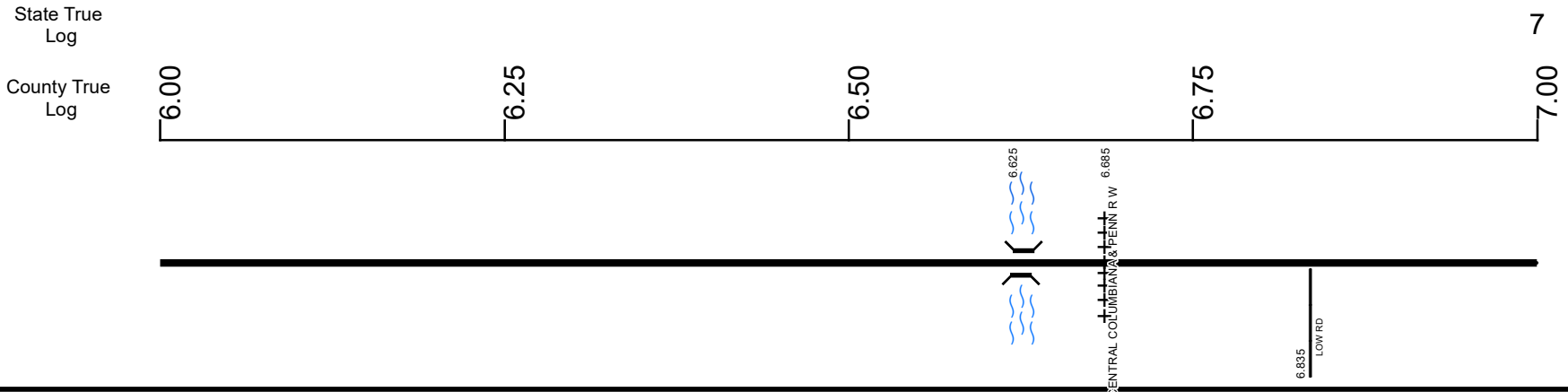
Created on: 6/24/2025



transportation.ohio.gov

Prepared by  
The Ohio Department of Transportation  
Office of Technical Services  
Roadway Information

# SCOLSR00517\*\*C



Surface Type & Width (Left / Right)	G 20' 0.731 - 8.461
Base Type (Left / Right)	K 0.731 - 8.461
Shoulder Type & Width (Left / Right)	2 (5/5) 0.731 - 8.461
Through Lanes	2 0.731 - 8.461
Street Name	SR 517 0.731 - 8.461

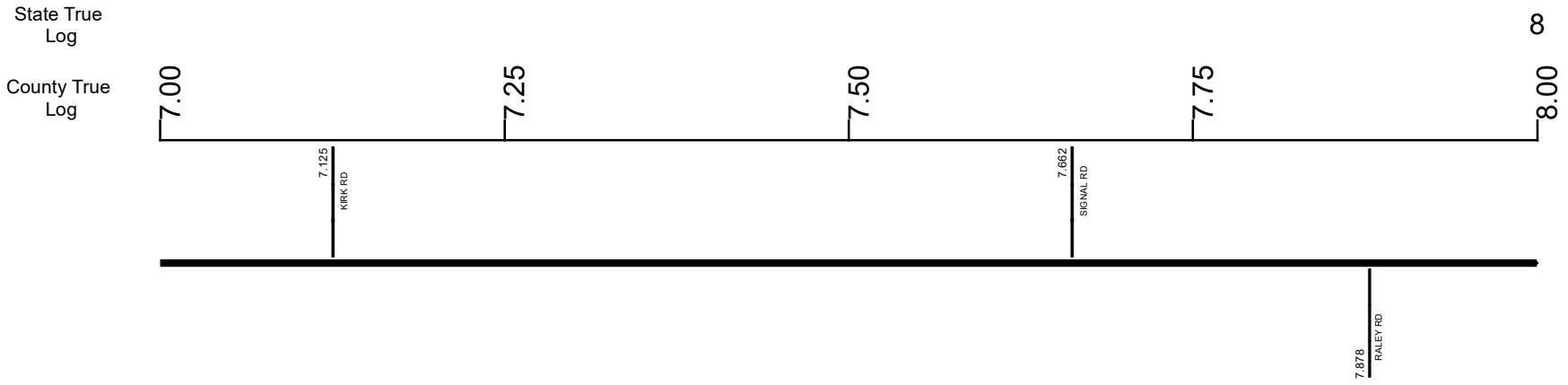
Non-divided Highway	Bridge (on route)	Railroad (at grade)	Intersection
Divided Highway	Underpass	Railroad (underpass)	
Secondary Segment	Overpass	Railroad (overpass)	
Corporation			

Created on: 6/24/2025



transportation.ohio.gov  
 Prepared by  
 The Ohio Department of Transportation  
 Office of Technical Services  
 Roadway Information

# SCOLSR00517\*\*C



Surface Type & Width (Left / Right)	G 20'
	0.731 - 8.461
Base Type (Left / Right)	K
	0.731 - 8.461
Shoulder Type & Width (Left / Right)	2 (5/5)
	0.731 - 8.461
Through Lanes	2
	0.731 - 8.461
Street Name	SR 517
	0.731 - 8.461

Non-divided Highway	Bridge (on route)	Railroad (at grade)	Intersection
Divided Highway	Underpass	Railroad (underpass)	
Secondary Segment	Overpass	Railroad (overpass)	
Corporation			

Created on: 6/24/2025



transportation.ohio.gov

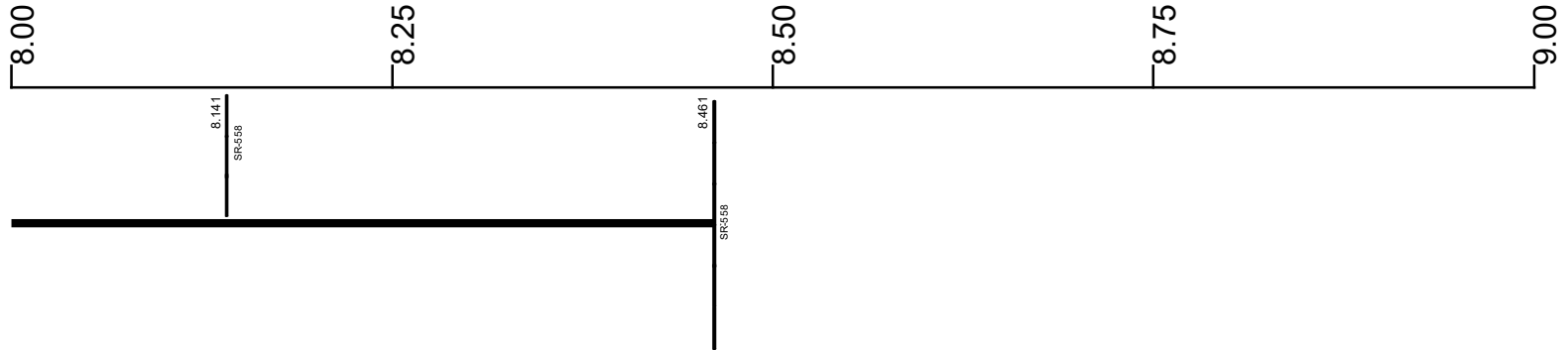
Prepared by  
The Ohio Department of Transportation  
Office of Technical Services  
Roadway Information

# SCOLSR00517\*\*C

8.461

State True Log

County True Log



Surface Type & Width (Left / Right)

G 20'  
0.731 - 8.461

Base Type (Left / Right)

K  
0.731 - 8.461

Shoulder Type & Width (Left / Right)

2 (5/5)  
0.731 - 8.461

Through Lanes

2  
0.731 - 8.461

Street Name

SR 517  
0.731 - 8.461

- Non-divided Highway
- Divided Highway
- Secondary Segment
- Corporation
- Bridge (on route)
- Underpass
- Overpass
- Railroad (at grade)
- Railroad (underpass)
- Railroad (overpass)
- Intersection

Created on: 6/24/2025

transportation.ohio.gov  
Prepared by  
The Ohio Department of Transportation  
Office of Technical Services  
Roadway Information

## Historical Project List for SCOLSR00517\*\*C

Begin Measure	End Measure	Project ID Number	Construction Completion Date	Treatment Category	Treatment Type
0.730	2.200	97659	9-2017	Minor Rehabilitation	60-AC Overlay w/Rpr
0.730	8.500	76417	5-2007	Minor Rehabilitation	60-AC Overlay w/Rpr
2.200	8.500	97659	9-2017	Minor Rehabilitation	60-AC Overlay w/Rpr

# Roadway Codes

## Access Control Journalized

- F - Full Access Control
- L - Limited Access Control
- N - No Access Control

## Access Control Operational

- 1 - Full Access Control
- 2 - Partial Access Control
- 3 - No Access Control

## Base Type

- F - Crack and Seat
- H - Rubblize and Roll
- I - Aggregate Base 304 or Traffic Compacted
- K - Water Bound Macadam
- L - Bituminous Concrete Mix or Penetration Macadam
- N - Plain Concrete
- P - Reinforced Concrete
- R - Brick (Flexible)
- T - Brick (Rigid)

## Direction of Travel

- B - Both (Two-way)
- F - One-way Cardinal
- T - One-way Non-cardinal

## Facility Type

- 1 - One-way Roadway
- 2 - Two-way Roadway
- 4 - Ramp
- 5 - Non-mainline
- 6 - Non-inventory Direction
- 7 - Planned / Unbuilt

## Historical Federal Aid Indicator

- N - Not a FAP Route
- Y - FAP Route

## Functional Classification

- 01 - Interstate
- 02 - Principal Arterial (Freeways)
- 03 - Principal Arterial (Other)
- 04 - Minor Arterial
- 05 - Major Collector
- 06 - Minor Collector
- 07 - Local

## Leave / Reenter Indicator

- Y - Route leaves/reenters at this point
- N - Route does not leave/reenter at this point

## Median Type

- 1 - None
- 2 - Unprotected
- 3 - Curbed
- 4 - Positive Barrier (Unspecified)
- 5 - Positive Barrier (Flexible)
- 6 - Positive Barrier (Semi-rigid)
- 7 - Positive Barrier (Rigid)

## NHS

- N - National Highway System
- H - Congressional Corridor
- 2 - Major Airport
- 3 - Major Port Facility
- 4 - Major Amtrak Station
- 5 - Major Rail / Truck Terminal
- 6 - Major Intercity Bus Terminal
- 7 - Major Public Transit / Multi-modal Passenger Terminal
- 8 - Major Pipeline Terminal
- 9 - Major Ferry Terminal

## Priority System

- G - General
- P - Priority System
- U - Urban

## Scenic Byway Code

- A - All American Road
- N - National Scenic Byway
- S - State Scenic Byway

## Shoulder Type

- 1 - None
- 2 - Surfaced shoulder exists (bituminous concrete {AC})
- 3 - Surfaced shoulder exists (Portland Cement Concrete {PCC})
- 4 - Stabilized shoulder exists (gravel or other granular material)
- 5 - Combination shoulder exists (two or more surface types)
- 6 - Earth shoulder exists
- 7 - Barrier curb exists; no shoulder in front of curb

## Surface Type

- A - Combination
- B - Brick
- C - Continuous Reinforced Concrete
- D - Reinforced Concrete
- E - Plain Concrete
- G - Bituminous Concrete
- I - Chipseal on Granular
- K - Open Graded Bituminous
- L - Chipseal or Micro
- M - Gravel
- U - Unimproved
- X - Right of Way Only