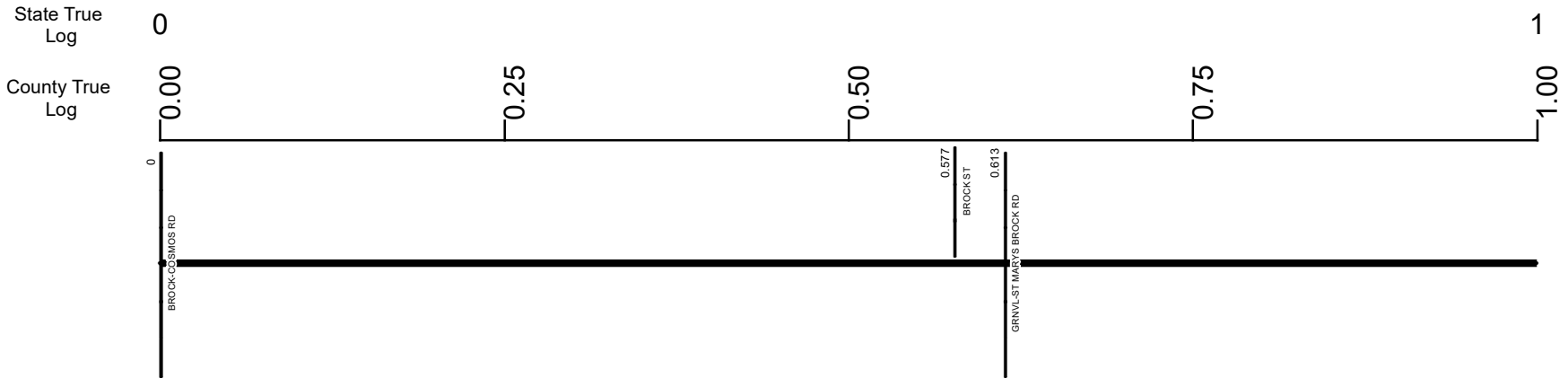


SDARSR00185**C



Surface Type & Width (Left / Right)

K (16'4')	G 20'	K 20'
0 - 0.604	0.604 - 0.933	0.933 - 2.299

Base Type (Left / Right)

N / I	I
0 - 0.604	0.604 - 4.959

Shoulder Type & Width (Left / Right)

4 (0'0')	
0 - 4.929	

Resurface Year

2021	
0 - 4.919	

Through Lanes

2	
0 - 5.198	

Street Name

SR 185	
0 - 4.832	

- Non-divided Highway
- Divided Highway
- Secondary Segment
- Corporation
- Bridge (on route)
- Underpass
- Overpass
- Railroad (at grade)
- Railroad (underpass)
- Railroad (overpass)
- Intersection

Created on: 6/27/2025

transportation.ohio.gov

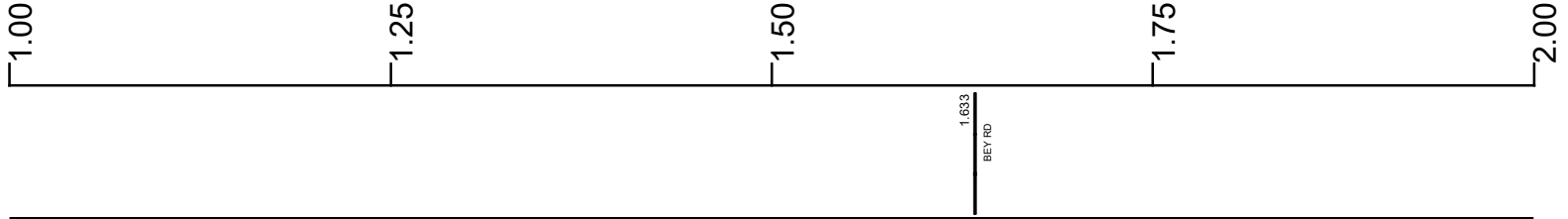
Prepared by
The Ohio Department of Transportation
Office of Technical Services
Roadway Information

SDARSR00185**C

State True Log

2

County True Log



Surface Type & Width (Left / Right)

K 20'
0.933 - 2.299

Base Type (Left / Right)

I
0.604 - 4.959

Shoulder Type & Width (Left / Right)

4 (0/0)
0 - 4.929

Resurface Year

2021
0 - 4.919

Through Lanes

2
0 - 5.198

Street Name

SR 185
0 - 4.832

- Non-divided Highway
 Bridge (on route)
 Railroad (at grade)
 Intersection
- Divided Highway
 Underpass
 Railroad (underpass)
- Secondary Segment
 Overpass
 Railroad (overpass)
- Corporation**

Created on: 6/27/2025



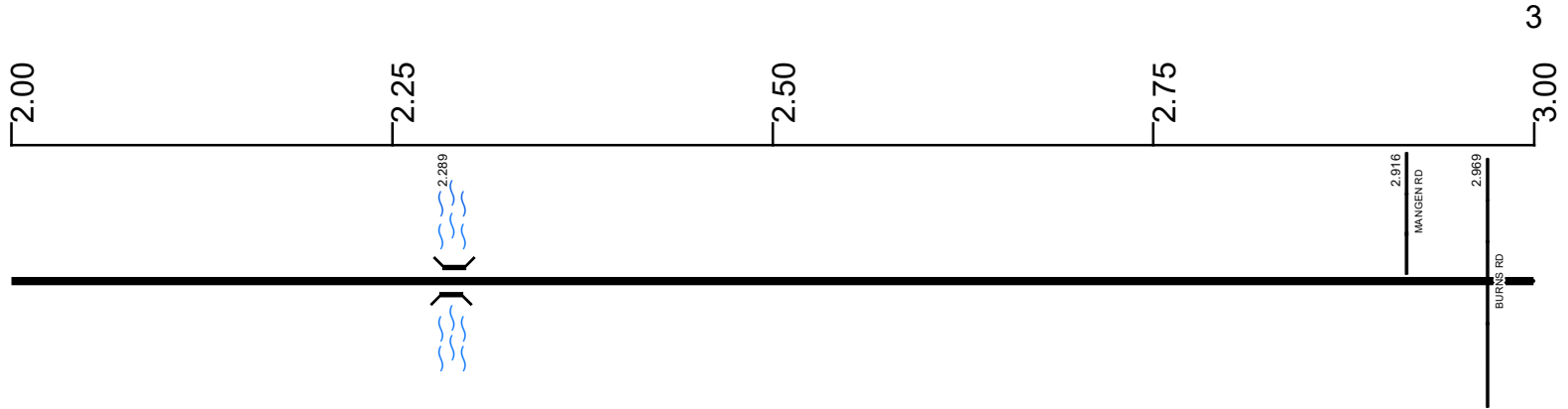
transportation.ohio.gov

Prepared by
The Ohio Department of Transportation
Office of Technical Services
Roadway Information

SDARSR00185**C

State True Log

County True Log



Surface Type & Width (Left / Right)

K 20'	G 20'	K 20'
0.933 - 2.299	2.299 - 2.906	2.906 - 3.274

Base Type (Left / Right)

I		
0.604 - 4.959		

Shoulder Type & Width (Left / Right)

4 (0'/0')		
0 - 4.929		

Resurface Year

2021		
0 - 4.919		

Through Lanes

2		
0 - 5.198		

Street Name

SR 185		
0 - 4.832		

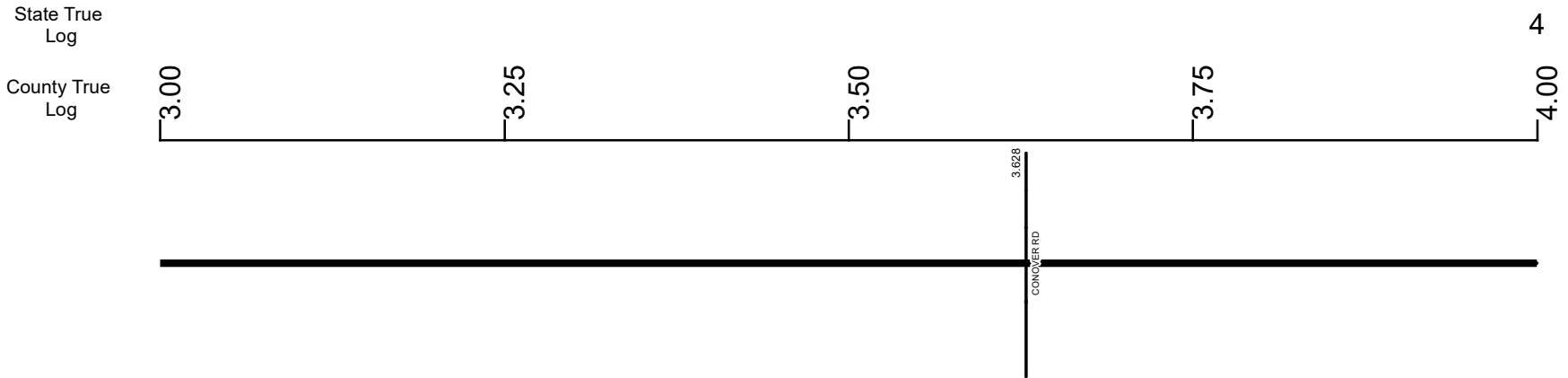
- Non-divided Highway
 Bridge (on route)
 Railroad (at grade)
 Intersection
- Divided Highway
 Underpass
 Railroad (underpass)
- Secondary Segment
 Overpass
 Railroad (overpass)
- Corporation**

Created on: 6/27/2025

transportation.ohio.gov

Prepared by
The Ohio Department of Transportation
Office of Technical Services
Roadway Information

SDARSR00185**C



Surface Type & Width (Left / Right)	
K 20' 2.906 - 3.274	G 20' 3.274 - 4.959
Base Type (Left / Right)	
I 0.604 - 4.959	
Shoulder Type & Width (Left / Right)	
4 (0'/0') 0 - 4.929	
Resurface Year	
2021 0 - 4.919	
Through Lanes	
2 0 - 5.198	
Street Name	
SR 185 0 - 4.832	

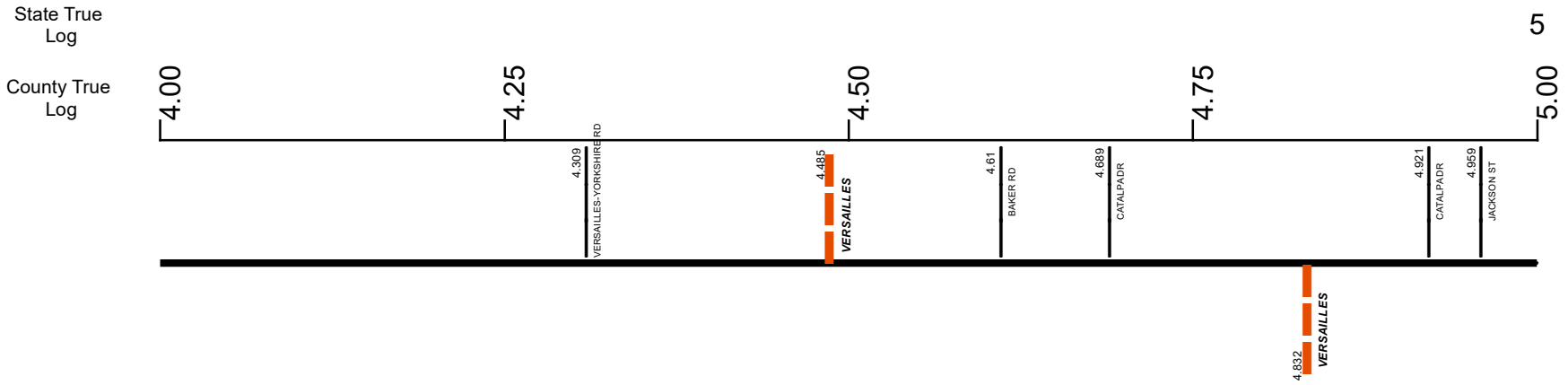
- | | | | |
|--|---|---|---|
| <ul style="list-style-type: none"> Non-divided Highway Divided Highway Secondary Segment Corporation | <ul style="list-style-type: none"> Bridge (on route) Underpass Overpass | <ul style="list-style-type: none"> Railroad (at grade) Railroad (underpass) Railroad (overpass) | <ul style="list-style-type: none"> Intersection |
|--|---|---|---|

Created on: 6/27/2025

transportation.ohio.gov

Prepared by
The Ohio Department of Transportation
Office of Technical Services
Roadway Information

SDARSR00185**C



Surface Type & Width (Left / Right)	G 20'	G 28'
	3.274 - 4.959	4.959 - 5.198
Base Type (Left / Right)	I	L
	0.604 - 4.959	4.959 - 5.198
Shoulder Type & Width (Left / Right)	4 (0'/0')	5 (2'/2') 1 (0'/0')
	0 - 4.929	4.959 - 5.198
Resurface Year	2021	
	0 - 4.919	
Through Lanes	2	
	0 - 5.198	
Street Name	SR 185	JACKSON ST PROGRESS WAY
	0 - 4.832	4.832 - 4.959 4.959 - 5.198

Non-divided Highway	Bridge (on route)	Railroad (at grade)	Intersection
Divided Highway	Underpass	Railroad (underpass)	
Secondary Segment	Overpass	Railroad (overpass)	
Corporation			

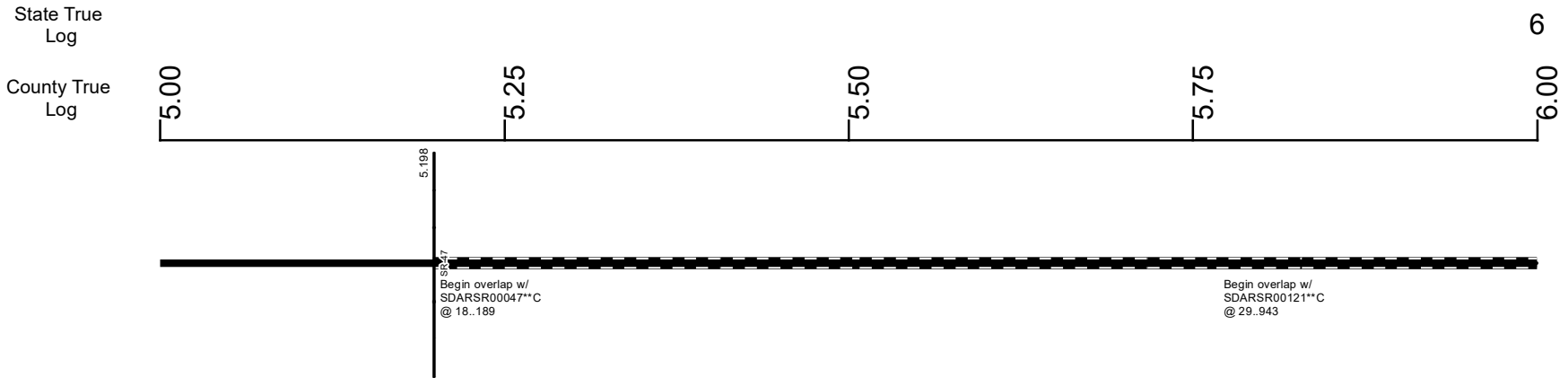
Created on: 6/27/2025



transportation.ohio.gov

Prepared by
The Ohio Department of Transportation
Office of Technical Services
Roadway Information

SDARSR00185**C



Surface Type & Width (Left / Right)

G 28'
4.959 - 5.198

Base Type (Left / Right)

L
4.959 - 5.198

Shoulder Type & Width (Left / Right)

1 (0'/0')
4.959 - 5.198

Through Lanes

2
0 - 5.198

Street Name

PROGRESS WAY
4.959 - 5.198

- Non-divided Highway
- Divided Highway
- Secondary Segment
- Corporation
- Bridge (on route)
- Underpass
- Overpass
- Railroad (at grade)
- Railroad (underpass)
- Railroad (overpass)
- Intersection

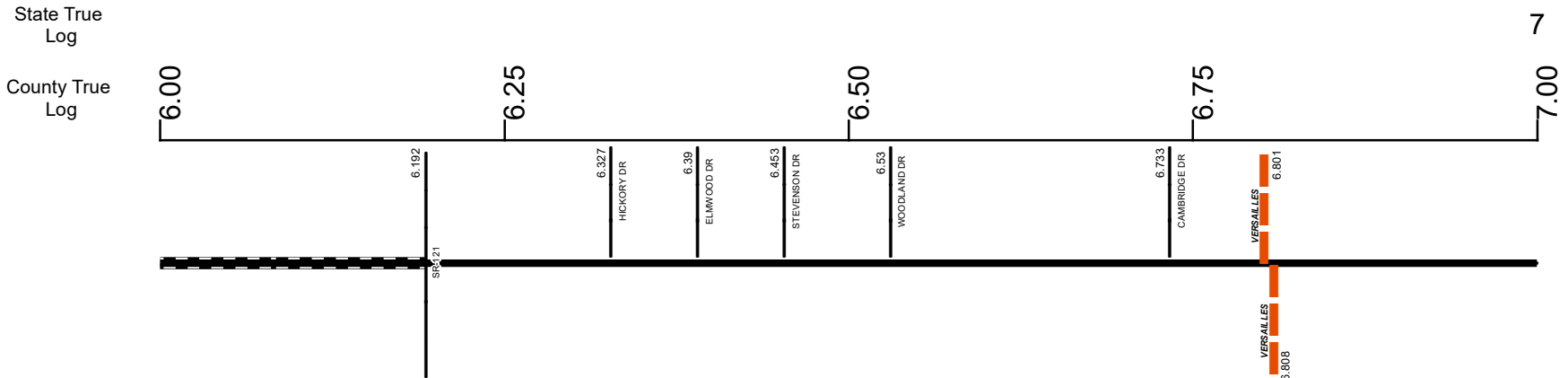
Created on: 6/27/2025



transportation.ohio.gov

Prepared by
The Ohio Department of Transportation
Office of Technical Services
Roadway Information

SDARSR00185**C



Surface Type & Width (Left / Right)

G 24'	G 22'	G 20'
6.192 - 6.265	6.265 - 6.598	6.598 - 7.4

Base Type (Left / Right)

I
6.192 - 7.4

Shoulder Type & Width (Left / Right)

4 (0'/0')	2 (3'/3')
6.192 - 6.598	6.598 - 7.4

Through Lanes

2
6.192 - 11.839

Street Name

S CENTER ST	SR 185
6.192 - 6.603	6.603 - 11.839

- Non-divided Highway
- Divided Highway
- Secondary Segment
- Corporation
- Bridge (on route)
- Underpass
- Overpass
- Railroad (at grade)
- Railroad (underpass)
- Railroad (overpass)
- Intersection

Created on: 6/27/2025

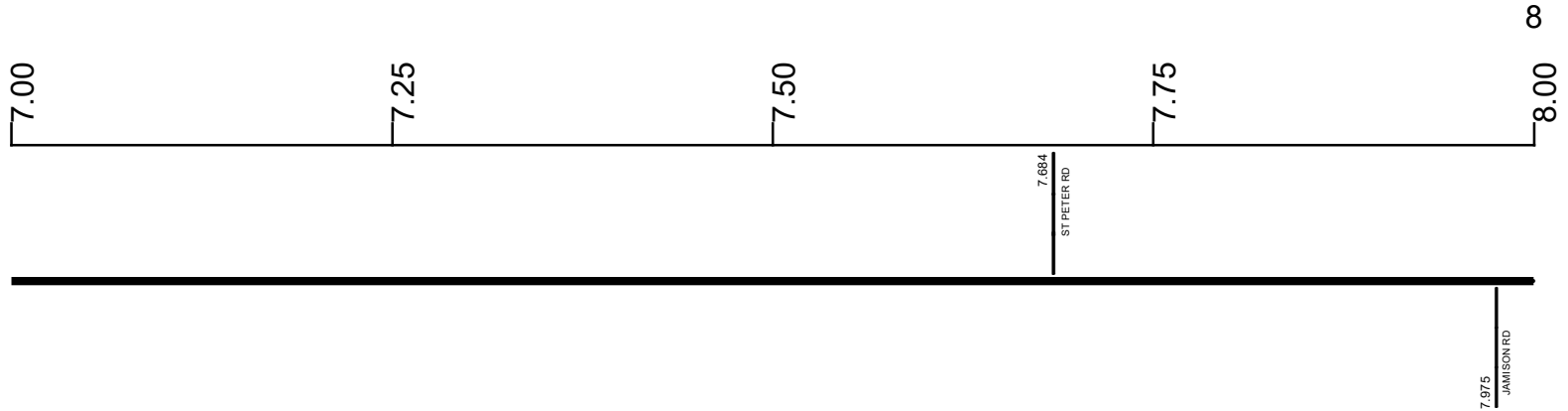
transportation.ohio.gov

Prepared by
The Ohio Department of Transportation
Office of Technical Services
Roadway Information

SDARSR00185**C

State True Log

County True Log



Surface Type & Width (Left / Right)

G 20'	G 24'
6.598 - 7.4	7.4 - 8.171

Base Type (Left / Right)

I	L
6.192 - 7.4	7.4 - 8.171

Shoulder Type & Width (Left / Right)

2 (3'/3')	4 (0'/0')
6.598 - 7.4	7.4 - 8.171

Through Lanes

2
6.192 - 11.839

Street Name

SR 185
6.603 - 11.839

- Non-divided Highway
- Divided Highway
- Secondary Segment
- Corporation
- Bridge (on route)
- Underpass
- Overpass
- Railroad (at grade)
- Railroad (underpass)
- Railroad (overpass)
- Intersection

Created on: 6/27/2025

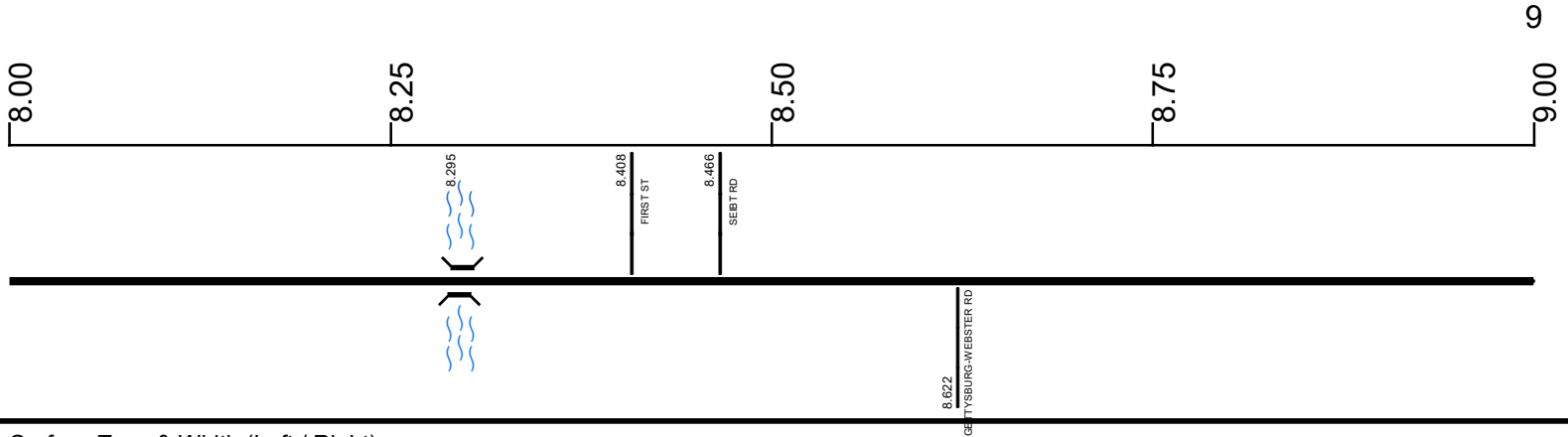
transportation.ohio.gov

Prepared by
The Ohio Department of Transportation
Office of Technical Services
Roadway Information

SDARSR00185**C

State True Log

County True Log



Surface Type & Width (Left / Right)

G 24' 7.4 - 8.171	G 20' 8.171 - 9.568
----------------------	------------------------

Base Type (Left / Right)

L 7.4 - 8.171	I 8.171 - 9.568
------------------	--------------------

Shoulder Type & Width (Left / Right)

4 (0'/0') 7.4 - 8.171	2 (3'/3') 8.171 - 9.568
--------------------------	----------------------------

Through Lanes

	2 6.192 - 11.839
--	---------------------

Street Name

	SR 185 6.603 - 11.839
--	--------------------------

Non-divided Highway	Bridge (on route)	Railroad (at grade)	Intersection
Divided Highway	Underpass	Railroad (underpass)	
Secondary Segment	Overpass	Railroad (overpass)	
Corporation			

Created on: 6/27/2025

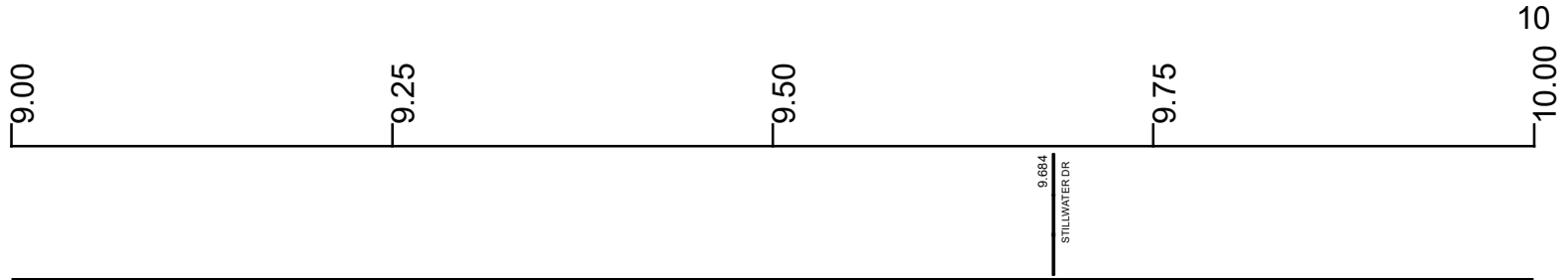
transportation.ohio.gov

Prepared by
The Ohio Department of Transportation
Office of Technical Services
Roadway Information

SDARSR00185**C

State True Log

County True Log



Surface Type & Width (Left / Right)

G 20' 8.171 - 9.568	G 24' 9.568 - 10.917
------------------------	-------------------------

Base Type (Left / Right)

I 8.171 - 9.568	L 9.568 - 10.917
--------------------	---------------------

Shoulder Type & Width (Left / Right)

2 (3'/3') 8.171 - 9.568	4 (0'/0') 9.568 - 10.917
----------------------------	-----------------------------

Through Lanes

	2 6.192 - 11.839
--	---------------------

Street Name

	SR 185 6.603 - 11.839
--	--------------------------

- Non-divided Highway
- Divided Highway
- Secondary Segment
- Corporation
- Bridge (on route)
- Underpass
- Overpass
- Railroad (at grade)
- Railroad (underpass)
- Railroad (overpass)
- Intersection

Created on: 6/27/2025

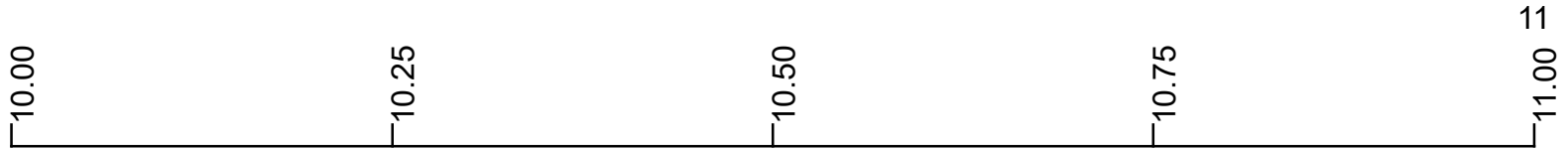
transportation.ohio.gov

Prepared by
The Ohio Department of Transportation
Office of Technical Services
Roadway Information

SDARSR00185**C

State True Log

County True Log



Surface Type & Width (Left / Right)

G 24'	G 20'
9.568 - 10.917	10.917 - 11.839

Base Type (Left / Right)

L	I
9.568 - 10.917	10.917 - 11.839

Shoulder Type & Width (Left / Right)

4 (0/0')	2 (3/3')
9.568 - 10.917	10.917 - 11.839

Through Lanes

2	
6.192 - 11.839	

Street Name

SR 185	
6.603 - 11.839	

- Non-divided Highway
- Divided Highway
- Secondary Segment
- Corporation
- Bridge (on route)
- Underpass
- Overpass
- Railroad (at grade)
- Railroad (underpass)
- Railroad (overpass)
- Intersection

Created on: 6/27/2025

transportation.ohio.gov

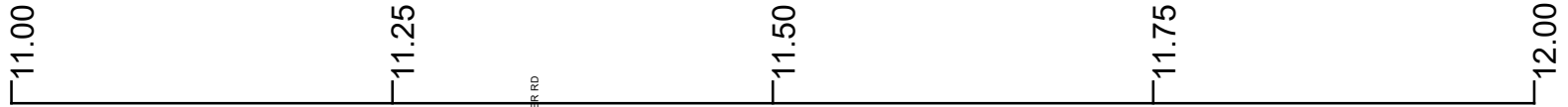
Prepared by
The Ohio Department of Transportation
Office of Technical Services
Roadway Information

SDARSR00185**C

State True Log

11.839

County True Log



Surface Type & Width (Left / Right)

G 20'
10.917 - 11.839

Base Type (Left / Right)

I
10.917 - 11.839

Shoulder Type & Width (Left / Right)

2 (3/3')
10.917 - 11.839

Through Lanes

2
6.192 - 11.839

Street Name

SR 185
6.603 - 11.839

- | | | | |
|--|---|---|---|
| <ul style="list-style-type: none"> Non-divided Highway Divided Highway Secondary Segment Corporation | <ul style="list-style-type: none"> Bridge (on route) Underpass Overpass | <ul style="list-style-type: none"> Railroad (at grade) Railroad (underpass) Railroad (overpass) | <ul style="list-style-type: none"> Intersection |
|--|---|---|---|

Created on: 6/27/2025

transportation.ohio.gov

Prepared by
The Ohio Department of Transportation
Office of Technical Services
Roadway Information

Historical Project List for SDARSR00185**C

Begin Measure	End Measure	Project ID Number	Construction Completion Date	Treatment Category	Treatment Type
0.000	4.920	107451	8-2022	Minor Rehabilitation	60-AC Overlay w/Rpr
0.000	4.490	85879	8-2009	Minor Rehabilitation	60-AC Overlay w/Rpr
6.200	7.420	102965	9-2019	Minor Rehabilitation	38-Fine Poly AC Overlay
7.340	11.840	19596	6-2009	Minor Rehabilitation	50-AC Overlay w/o Rpr
7.420	11.840	100930	9-2018	Preventive Maintenance	30-Microsurfacing

Roadway Codes

Access Control Journalized

- F - Full Access Control
- L - Limited Access Control
- N - No Access Control

Access Control Operational

- 1 - Full Access Control
- 2 - Partial Access Control
- 3 - No Access Control

Base Type

- F - Crack and Seat
- H - Rubblize and Roll
- I - Aggregate Base 304 or Traffic Compacted
- K - Water Bound Macadam
- L - Bituminous Concrete Mix or Penetration Macadam
- N - Plain Concrete
- P - Reinforced Concrete
- R - Brick (Flexible)
- T - Brick (Rigid)

Direction of Travel

- B - Both (Two-way)
- F - One-way Cardinal
- T - One-way Non-cardinal

Facility Type

- 1 - One-way Roadway
- 2 - Two-way Roadway
- 4 - Ramp
- 5 - Non-mainline
- 6 - Non-inventory Direction
- 7 - Planned / Unbuilt

Historical Federal Aid Indicator

- N - Not a FAP Route
- Y - FAP Route

Functional Classification

- 01 - Interstate
- 02 - Principal Arterial (Freeways)
- 03 - Principal Arterial (Other)
- 04 - Minor Arterial
- 05 - Major Collector
- 06 - Minor Collector
- 07 - Local

Leave / Reenter Indicator

- Y - Route leaves/reenters at this point
- N - Route does not leave/reenter at this point

Median Type

- 1 - None
- 2 - Unprotected
- 3 - Curbed
- 4 - Positive Barrier (Unspecified)
- 5 - Positive Barrier (Flexible)
- 6 - Positive Barrier (Semi-rigid)
- 7 - Positive Barrier (Rigid)

NHS

- N - National Highway System
- H - Congressional Corridor
- 2 - Major Airport
- 3 - Major Port Facility
- 4 - Major Amtrak Station
- 5 - Major Rail / Truck Terminal
- 6 - Major Intercity Bus Terminal
- 7 - Major Public Transit / Multi-modal Passenger Terminal
- 8 - Major Pipeline Terminal
- 9 - Major Ferry Terminal

Priority System

- G - General
- P - Priority System
- U - Urban

Scenic Byway Code

- A - All American Road
- N - National Scenic Byway
- S - State Scenic Byway

Shoulder Type

- 1 - None
- 2 - Surfaced shoulder exists (bituminous concrete {AC})
- 3 - Surfaced shoulder exists (Portland Cement Concrete {PCC})
- 4 - Stabilized shoulder exists (gravel or other granular material)
- 5 - Combination shoulder exists (two or more surface types)
- 6 - Earth shoulder exists
- 7 - Barrier curb exists; no shoulder in front of curb

Surface Type

- A - Combination
- B - Brick
- C - Continuous Reinforced Concrete
- D - Reinforced Concrete
- E - Plain Concrete
- G - Bituminous Concrete
- I - Chipseal on Granular
- K - Open Graded Bituminous
- L - Chipseal or Micro
- M - Gravel
- U - Unimproved
- X - Right of Way Only