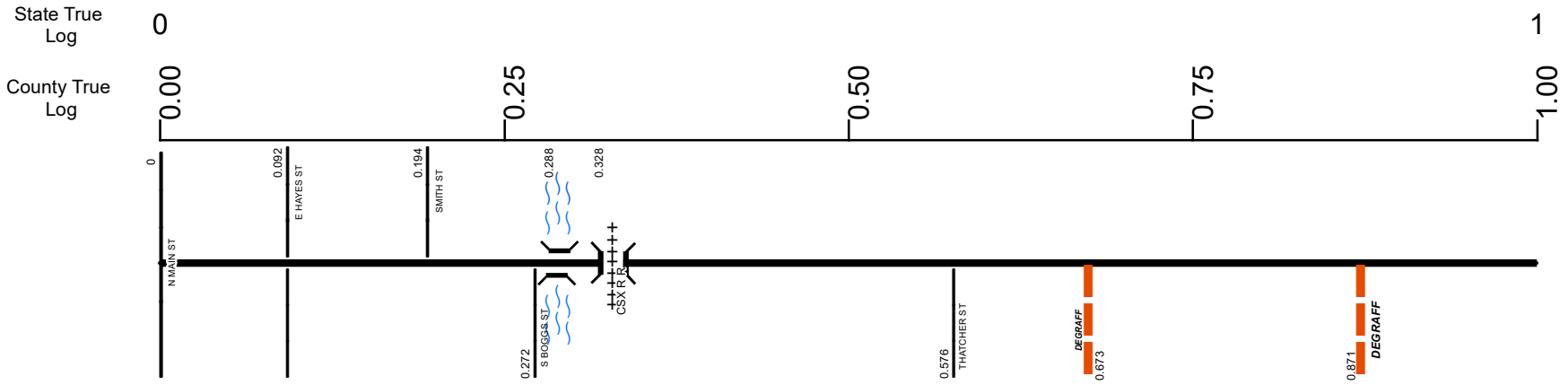


# SLOGSR00508\*\*C



<b>Surface Type &amp; Width (Left / Right)</b>		
G 38'	G 20'	G (20'/4')
0 - 0.199	0.199 - 0.576	0.576 - 1.141
<b>Base Type (Left / Right)</b>		
N	I	I / L
0 - 0.199	0.199 - 0.576	0.576 - 1.141
<b>Shoulder Type &amp; Width (Left / Right)</b>		
1 (0'/0')	5 (3'/3')	5 (2'/2')
0 - 0.199	0.199 - 0.576	0.576 - 1.141
<b>Resurface Year</b>		
2022		
<b>Through Lanes</b>		
2		
<b>Street Name</b>		
N MAIN ST	S MAIN ST	
0 - 0.092	0.092 - 1.282	

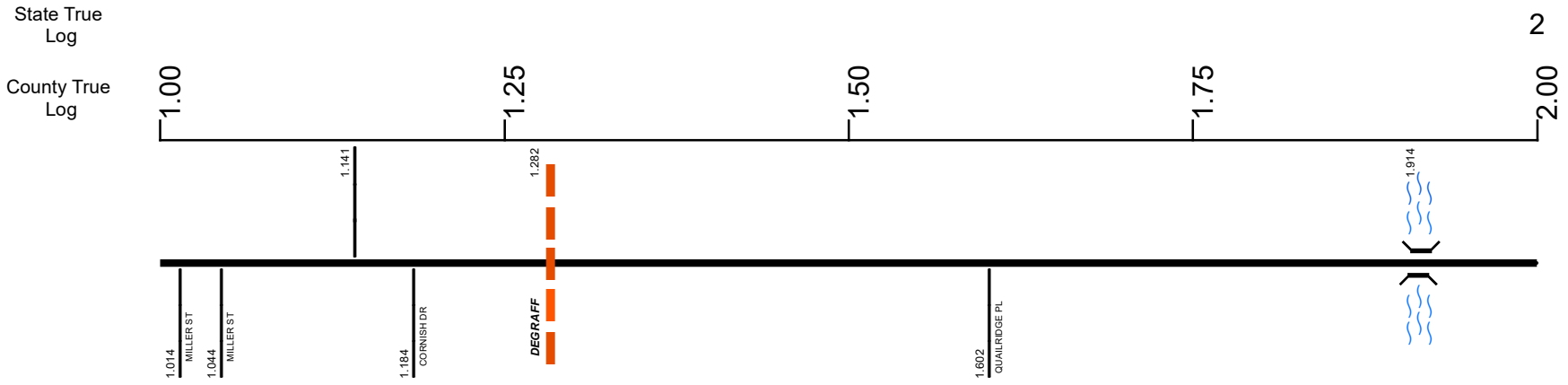
<ul style="list-style-type: none"> <li> Non-divided Highway</li> <li> Divided Highway</li> <li> Secondary Segment</li> <li> Corporation</li> </ul>	<ul style="list-style-type: none"> <li> Bridge (on route)</li> <li> Underpass</li> <li> Overpass</li> </ul>	<ul style="list-style-type: none"> <li> Railroad (at grade)</li> <li> Railroad (underpass)</li> <li> Railroad (overpass)</li> </ul>	<ul style="list-style-type: none"> <li> Intersection</li> </ul>
--	---	---	---

Created on: 7/1/2025

transportation.ohio.gov

Prepared by  
The Ohio Department of Transportation  
Office of Technical Services  
Roadway Information

# SLOGSR00508\*\*C



Surface Type & Width (Left / Right)		
G (20'4") 0.576 - 1.141	G 20' 1.141 - 9.197	
Base Type (Left / Right)		
I / L 0.576 - 1.141	I 1.141 - 9.46	
Shoulder Type & Width (Left / Right)		
5 (2'2") 0.576 - 1.141	5 (3'3") 1.141 - 1.259	5 (1'1") 1.259 - 9.46
Resurface Year		
2022 0 - 1.283		
Through Lanes		
2 0 - 9.46		
Street Name		
S MAIN ST 0.092 - 1.282	SR 508 1.282 - 9.46	

Non-divided Highway	Bridge (on route)	Railroad (at grade)	Intersection
Divided Highway	Underpass	Railroad (underpass)	
Secondary Segment	Overpass	Railroad (overpass)	
Corporation			

Created on: 7/1/2025

transportation.ohio.gov

Prepared by  
The Ohio Department of Transportation  
Office of Technical Services  
Roadway Information

# SLOGSR00508\*\*C

State True Log

3

County True Log



Surface Type & Width (Left / Right)

	G 20'
	1.141 - 9.197

Base Type (Left / Right)

	I
	1.141 - 9.46

Shoulder Type & Width (Left / Right)

	5 (1/1')
	1.259 - 9.46

Through Lanes

	2
	0 - 9.46

Street Name

	SR 508
	1.282 - 9.46

- |                     |                   |                      |              |
|---------------------|-------------------|----------------------|--------------|
| Non-divided Highway | Bridge (on route) | Railroad (at grade)  | Intersection |
| Divided Highway     | Underpass         | Railroad (underpass) |              |
| Secondary Segment   | Overpass          | Railroad (overpass)  |              |
| Corporation         |                   |                      |              |

Created on: 7/1/2025

transportation.ohio.gov

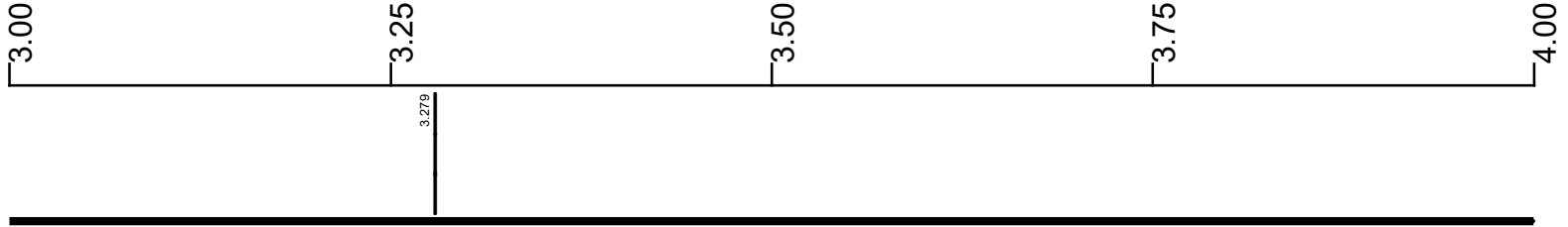
Prepared by  
The Ohio Department of Transportation  
Office of Technical Services  
Roadway Information

# SLOGSR00508\*\*C

State True Log

4

County True Log



Surface Type & Width (Left / Right)

G 20'  
1.141 - 9.197

Base Type (Left / Right)

I  
1.141 - 9.46

Shoulder Type & Width (Left / Right)

5 (1/1')  
1.259 - 9.46

Through Lanes

2  
0 - 9.46

Street Name

SR 508  
1.282 - 9.46

- Non-divided Highway
  Bridge (on route)
  Railroad (at grade)
  Intersection
- Divided Highway
  Underpass
  Railroad (underpass)
- Secondary Segment
  Overpass
  Railroad (overpass)
- Corporation**

Created on: 7/1/2025



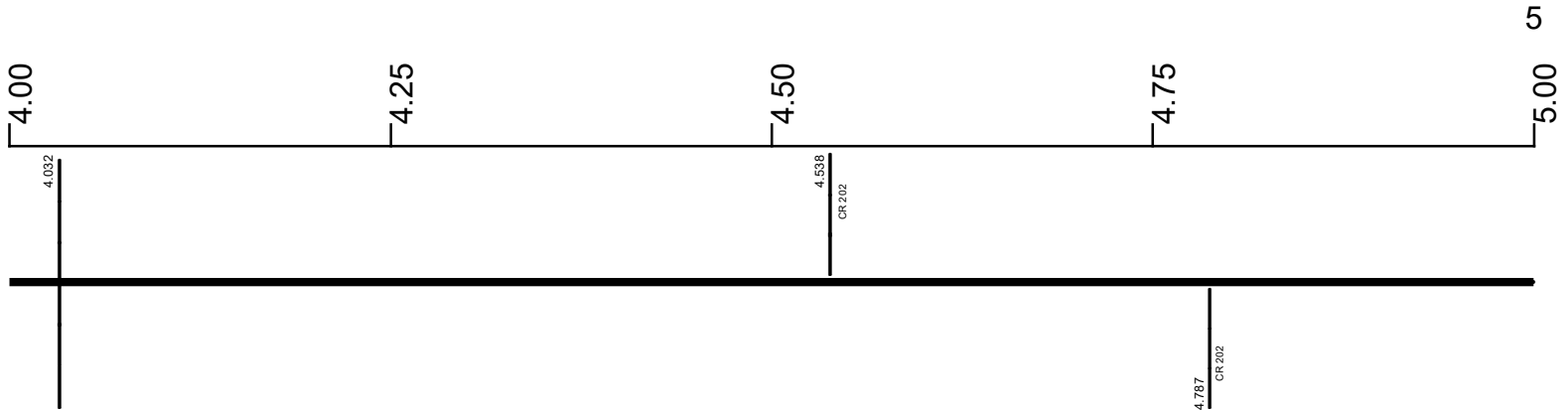
transportation.ohio.gov

Prepared by  
The Ohio Department of Transportation  
Office of Technical Services  
Roadway Information

# SLOGSR00508\*\*C

State True Log

County True Log



Surface Type & Width (Left / Right)

G 20'  
1.141 - 9.197

Base Type (Left / Right)

I  
1.141 - 9.46

Shoulder Type & Width (Left / Right)

5 (1/1')  
1.259 - 9.46

Through Lanes

2  
0 - 9.46

Street Name

SR 508  
1.282 - 9.46

- |                     |                   |                      |              |
|---------------------|-------------------|----------------------|--------------|
| Non-divided Highway | Bridge (on route) | Railroad (at grade)  | Intersection |
| Divided Highway     | Underpass         | Railroad (underpass) |              |
| Secondary Segment   | Overpass          | Railroad (overpass)  |              |
| Corporation         |                   |                      |              |

Created on: 7/1/2025



transportation.ohio.gov  
 Prepared by  
 The Ohio Department of Transportation  
 Office of Technical Services  
 Roadway Information

# SLOGSR00508\*\*C

State True Log

6

County True Log



Surface Type & Width (Left / Right)

	G 20'
	1.141 - 9.197

Base Type (Left / Right)

	I
	1.141 - 9.46

Shoulder Type & Width (Left / Right)

	5 (1/1')
	1.259 - 9.46

Through Lanes

	2
	0 - 9.46

Street Name

	SR 508
	1.282 - 9.46

- Non-divided Highway
- Divided Highway
- Secondary Segment
- Corporation
- Bridge (on route)
- Underpass
- Overpass
- Railroad (at grade)
- Railroad (underpass)
- Railroad (overpass)
- Intersection

Created on: 7/1/2025

transportation.ohio.gov

Prepared by  
The Ohio Department of Transportation  
Office of Technical Services  
Roadway Information

# SLOGSR00508\*\*C

State True Log

7

County True Log

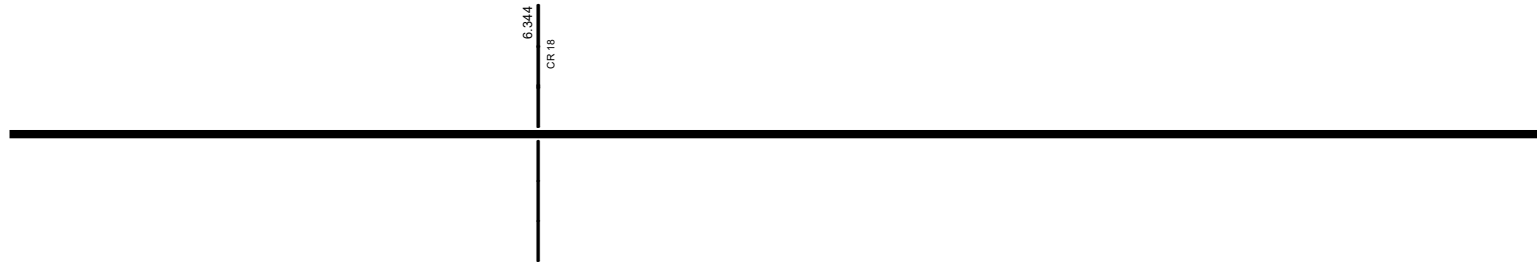
6.00

6.25

6.50

6.75

7.00



Surface Type & Width (Left / Right)

G 20'  
1.141 - 9.197

Base Type (Left / Right)

I  
1.141 - 9.46

Shoulder Type & Width (Left / Right)

5 (1/1')  
1.259 - 9.46

Through Lanes

2  
0 - 9.46

Street Name

SR 508  
1.282 - 9.46

- Non-divided Highway
  Bridge (on route)
  Railroad (at grade)
  Intersection
- Divided Highway
  Underpass
  Railroad (underpass)
- Secondary Segment
  Overpass
  Railroad (overpass)
- Corporation**

Created on: 7/1/2025



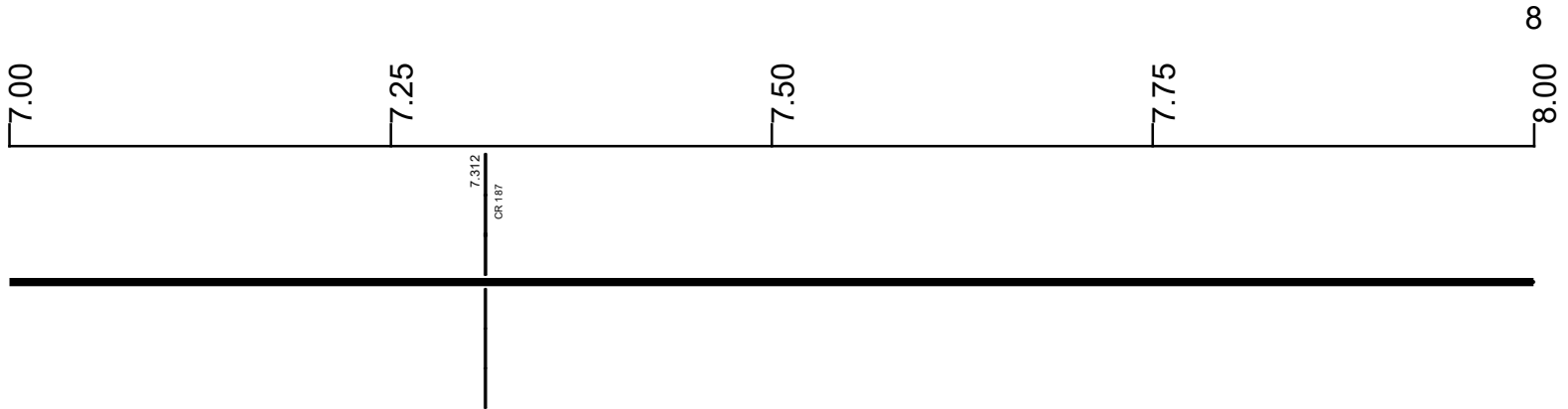
transportation.ohio.gov

Prepared by  
The Ohio Department of Transportation  
Office of Technical Services  
Roadway Information

# SLOGSR00508\*\*C

State True Log

County True Log



Surface Type & Width (Left / Right)

G 20'  
1.141 - 9.197

Base Type (Left / Right)

I  
1.141 - 9.46

Shoulder Type & Width (Left / Right)

5 (1/1')  
1.259 - 9.46

Through Lanes

2  
0 - 9.46

Street Name

SR 508  
1.282 - 9.46

- Non-divided Highway
  Bridge (on route)
  Railroad (at grade)
  Intersection
- Divided Highway
  Underpass
  Railroad (underpass)
- Secondary Segment
  Overpass
  Railroad (overpass)
- Corporation**

Created on: 7/1/2025



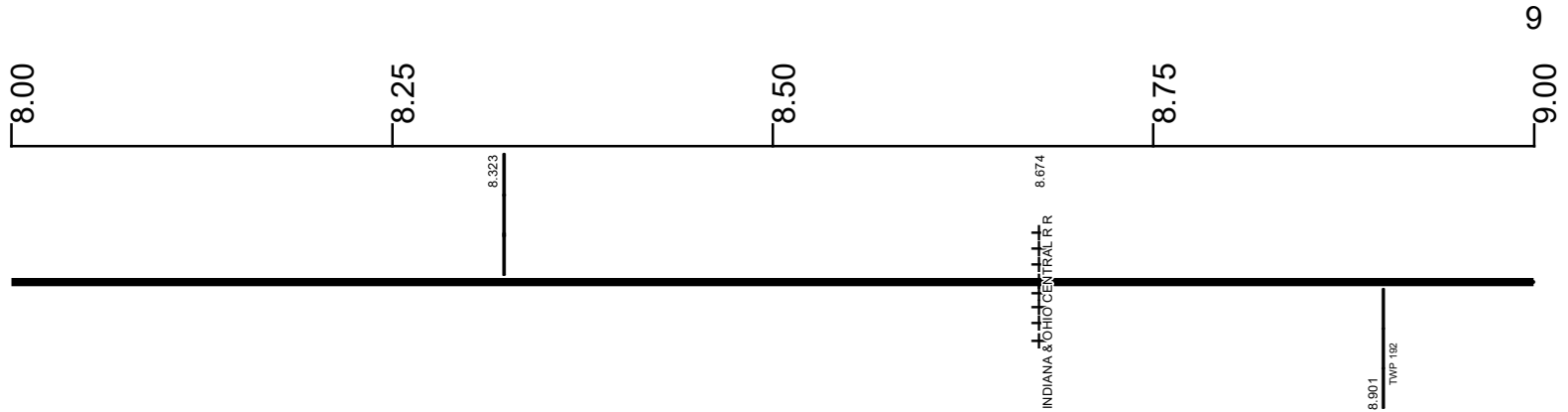
transportation.ohio.gov

Prepared by  
The Ohio Department of Transportation  
Office of Technical Services  
Roadway Information

# SLOGSR00508\*\*C

State True Log

County True Log



Surface Type & Width (Left / Right)

G 20'  
1.141 - 9.197

Base Type (Left / Right)

I  
1.141 - 9.46

Shoulder Type & Width (Left / Right)

5 (1/1')  
1.259 - 9.46

Through Lanes

2  
0 - 9.46

Street Name

SR 508  
1.282 - 9.46

- |                     |                   |                      |              |
|---------------------|-------------------|----------------------|--------------|
| Non-divided Highway | Bridge (on route) | Railroad (at grade)  | Intersection |
| Divided Highway     | Underpass         | Railroad (underpass) |              |
| Secondary Segment   | Overpass          | Railroad (overpass)  |              |
| Corporation         |                   |                      |              |

Created on: 7/1/2025



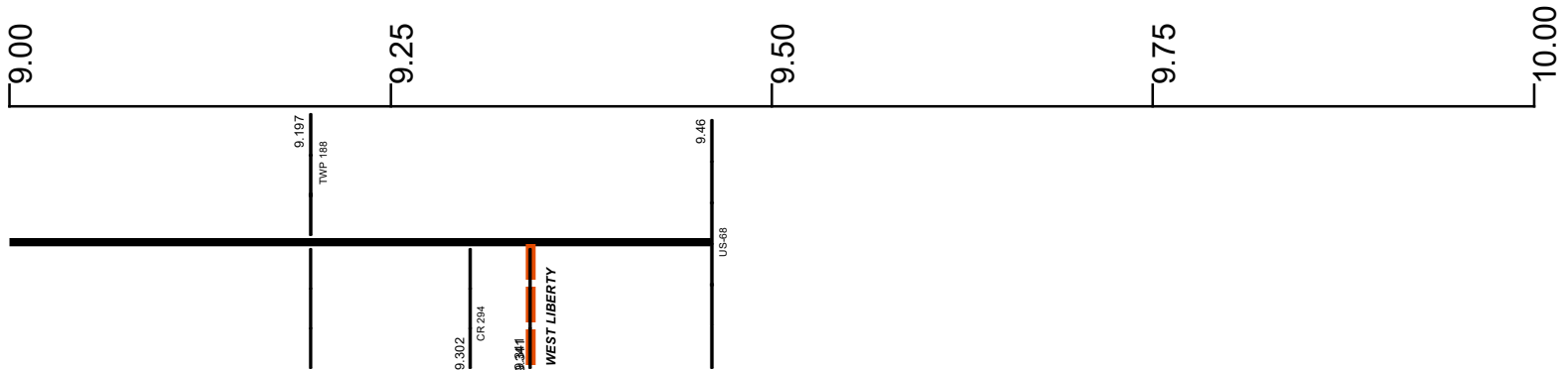
transportation.ohio.gov  
 Prepared by  
 The Ohio Department of Transportation  
 Office of Technical Services  
 Roadway Information

# SLOGSR00508\*\*C

9.46

State True Log

County True Log



**Surface Type & Width (Left / Right)**

G 20'	G 22'
1.141 - 9.197	9.197 - 9.46

**Base Type (Left / Right)**

I
1.141 - 9.46

**Shoulder Type & Width (Left / Right)**

5 (1'/1')
1.259 - 9.46

**Through Lanes**

2
0 - 9.46

**Street Name**

SR 508
1.282 - 9.46

- Non-divided Highway
- Divided Highway
- Secondary Segment
- Corporation
- Bridge (on route)
- Underpass
- Overpass
- Railroad (at grade)
- Railroad (underpass)
- Railroad (overpass)
- Intersection

Created on: 7/1/2025



transportation.ohio.gov  
 Prepared by  
 The Ohio Department of Transportation  
 Office of Technical Services  
 Roadway Information

## Historical Project List for SLOGSR00508\*\*C

Begin Measure	End Measure	Project ID Number	Construction Completion Date	Treatment Category	Treatment Type
0.000	1.290	110591	5-2023	Minor Rehabilitation	60-AC Overlay w/Rpr
0.000	9.460	25040	9-2006	Minor Rehabilitation	60-AC Overlay w/Rpr
1.290	9.460	101051	11-2017	Preventive Maintenance	25-Chip Seal

# Roadway Codes

## Access Control Journalized

- F - Full Access Control
- L - Limited Access Control
- N - No Access Control

## Access Control Operational

- 1 - Full Access Control
- 2 - Partial Access Control
- 3 - No Access Control

## Base Type

- F - Crack and Seat
- H - Rubblize and Roll
- I - Aggregate Base 304 or Traffic Compacted
- K - Water Bound Macadam
- L - Bituminous Concrete Mix or Penetration Macadam
- N - Plain Concrete
- P - Reinforced Concrete
- R - Brick (Flexible)
- T - Brick (Rigid)

## Direction of Travel

- B - Both (Two-way)
- F - One-way Cardinal
- T - One-way Non-cardinal

## Facility Type

- 1 - One-way Roadway
- 2 - Two-way Roadway
- 4 - Ramp
- 5 - Non-mainline
- 6 - Non-inventory Direction
- 7 - Planned / Unbuilt

## Historical Federal Aid Indicator

- N - Not a FAP Route
- Y - FAP Route

## Functional Classification

- 01 - Interstate
- 02 - Principal Arterial (Freeways)
- 03 - Principal Arterial (Other)
- 04 - Minor Arterial
- 05 - Major Collector
- 06 - Minor Collector
- 07 - Local

## Leave / Reenter Indicator

- Y - Route leaves/reenters at this point
- N - Route does not leave/reenter at this point

## Median Type

- 1 - None
- 2 - Unprotected
- 3 - Curbed
- 4 - Positive Barrier (Unspecified)
- 5 - Positive Barrier (Flexible)
- 6 - Positive Barrier (Semi-rigid)
- 7 - Positive Barrier (Rigid)

## NHS

- N - National Highway System
- H - Congressional Corridor
- 2 - Major Airport
- 3 - Major Port Facility
- 4 - Major Amtrak Station
- 5 - Major Rail / Truck Terminal
- 6 - Major Intercity Bus Terminal
- 7 - Major Public Transit / Multi-modal Passenger Terminal
- 8 - Major Pipeline Terminal
- 9 - Major Ferry Terminal

## Priority System

- G - General
- P - Priority System
- U - Urban

## Scenic Byway Code

- A - All American Road
- N - National Scenic Byway
- S - State Scenic Byway

## Shoulder Type

- 1 - None
- 2 - Surfaced shoulder exists (bituminous concrete {AC})
- 3 - Surfaced shoulder exists (Portland Cement Concrete {PCC})
- 4 - Stabilized shoulder exists (gravel or other granular material)
- 5 - Combination shoulder exists (two or more surface types)
- 6 - Earth shoulder exists
- 7 - Barrier curb exists; no shoulder in front of curb

## Surface Type

- A - Combination
- B - Brick
- C - Continuous Reinforced Concrete
- D - Reinforced Concrete
- E - Plain Concrete
- G - Bituminous Concrete
- I - Chipseal on Granular
- K - Open Graded Bituminous
- L - Chipseal or Micro
- M - Gravel
- U - Unimproved
- X - Right of Way Only