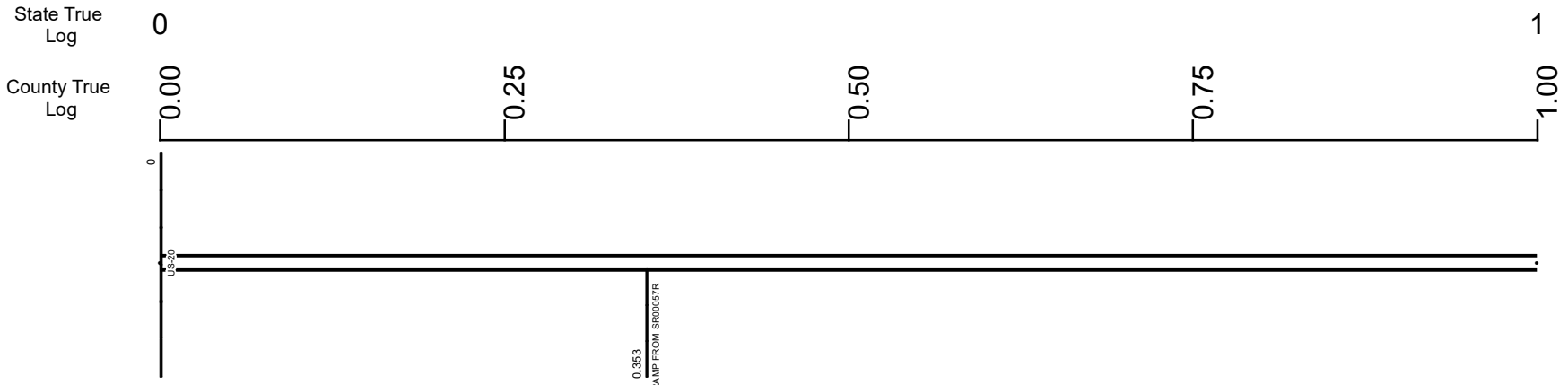


SLORSR00010**C



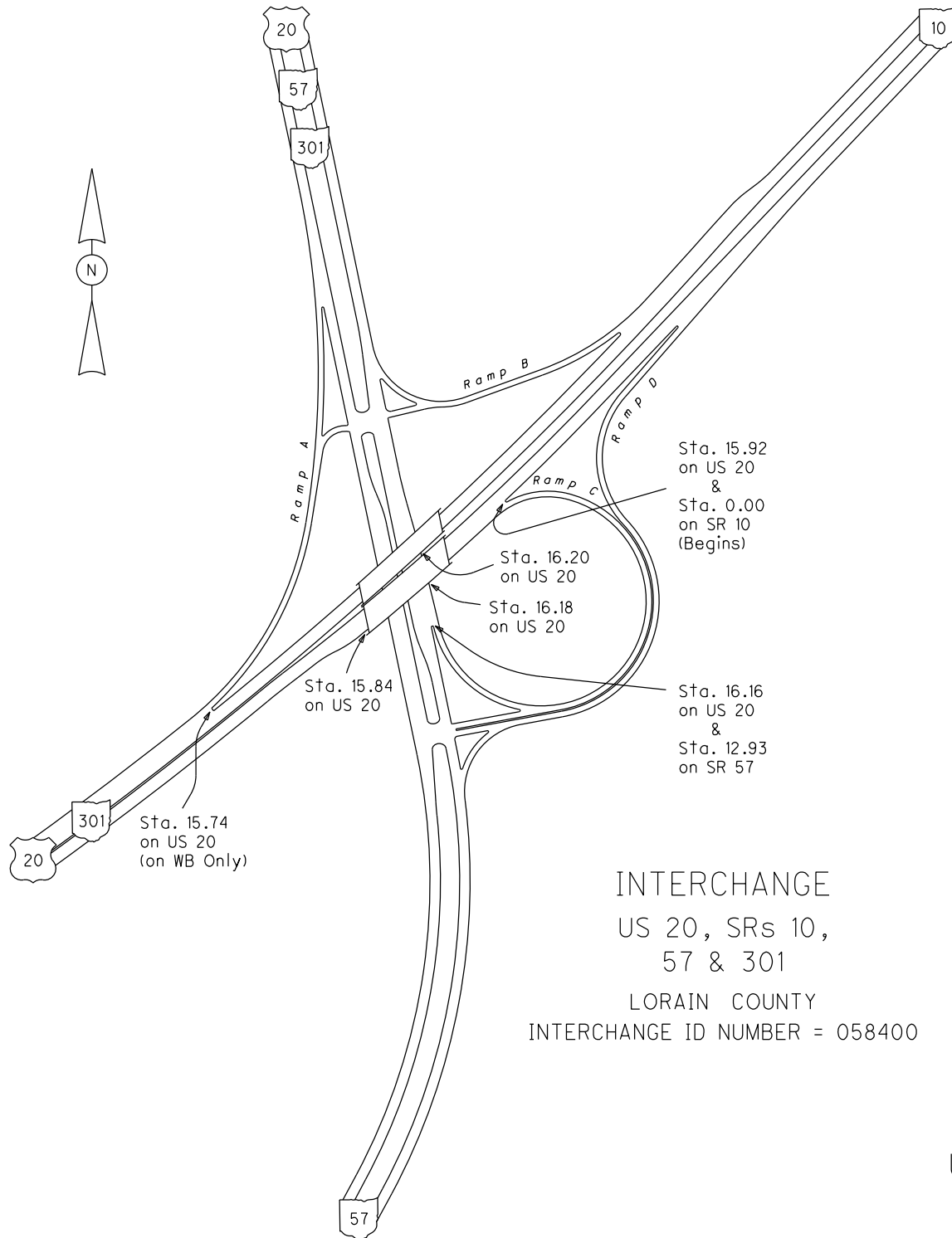
Surface Type & Width (Left / Right)	G 48' 0 - 5.824
Base Type (Left / Right)	N 0 - 5.824
Shoulder Type & Width (Left / Right)	2 (10'/10') 0 - 5.824
Median Type and Width	2 (28') 0 - 5.824
Resurface Year	2022 0 - 5.535
Through Lanes	4 0 - 5.824
Street Name	SR 10 0 - 5.824

Non-divided Highway	Bridge (on route)	Railroad (at grade)	Intersection
Divided Highway	Underpass	Railroad (underpass)	
Secondary Segment	Overpass	Railroad (overpass)	
Corporation			

Created on: 7/1/2025



transportation.ohio.gov
 Prepared by
 The Ohio Department of Transportation
 Office of Technical Services
 Roadway Information



INTERCHANGE
 US 20, SRs 10,
 57 & 301
 LORAIN COUNTY
 INTERCHANGE ID NUMBER = 058400

US20 SHEET 4 OF 6
 SR10 SHEET 1 OF 2
 SR57 SHEET 3 OF 6

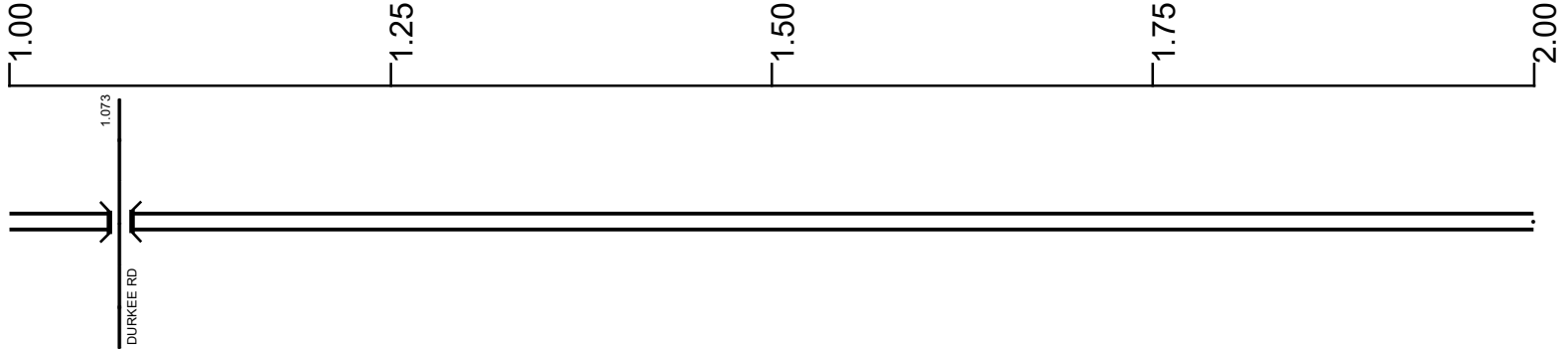
REVISED Jan 2018

SLORSR00010**C

State True Log

2

County True Log



Surface Type & Width (Left / Right)

G 48'
0 - 5.824

Base Type (Left / Right)

N
0 - 5.824

Shoulder Type & Width (Left / Right)

2 (10'/10')
0 - 5.824

Median Type and Width

2 (28')
0 - 5.824

Resurface Year

2022
0 - 5.535

Through Lanes

4
0 - 5.824

Street Name

SR 10
0 - 5.824

- Non-divided Highway
- Divided Highway
- Secondary Segment
- Corporation
- Bridge (on route)
- Underpass
- Overpass
- Railroad (at grade)
- Railroad (underpass)
- Railroad (overpass)
- Intersection

Created on: 7/1/2025

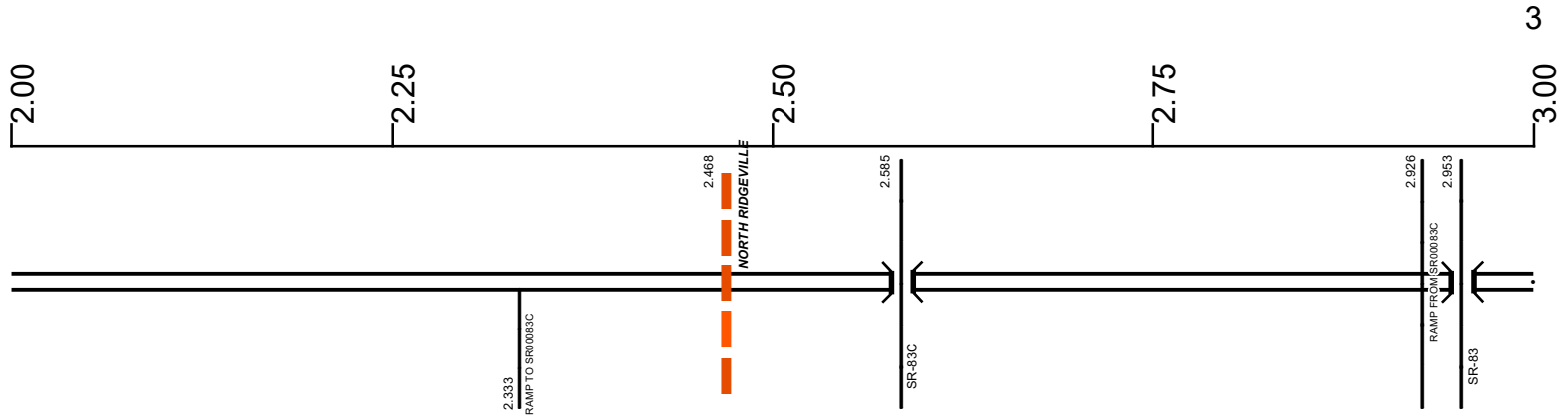
transportation.ohio.gov

Prepared by
The Ohio Department of Transportation
Office of Technical Services
Roadway Information

SLORSR00010**C

State True Log

County True Log



Surface Type & Width (Left / Right)	G 48'
	0 - 5.824
Base Type (Left / Right)	N
	0 - 5.824
Shoulder Type & Width (Left / Right)	2 (10'/10')
	0 - 5.824
Median Type and Width	2 (28')
	0 - 5.824
Resurface Year	2022
	0 - 5.535
Through Lanes	4
	0 - 5.824
Street Name	SR 10
	0 - 5.824

- Non-divided Highway
- Divided Highway
- Secondary Segment
- Corporation
- Bridge (on route)
- Underpass
- Overpass
- Railroad (at grade)
- Railroad (underpass)
- Railroad (overpass)
- Intersection

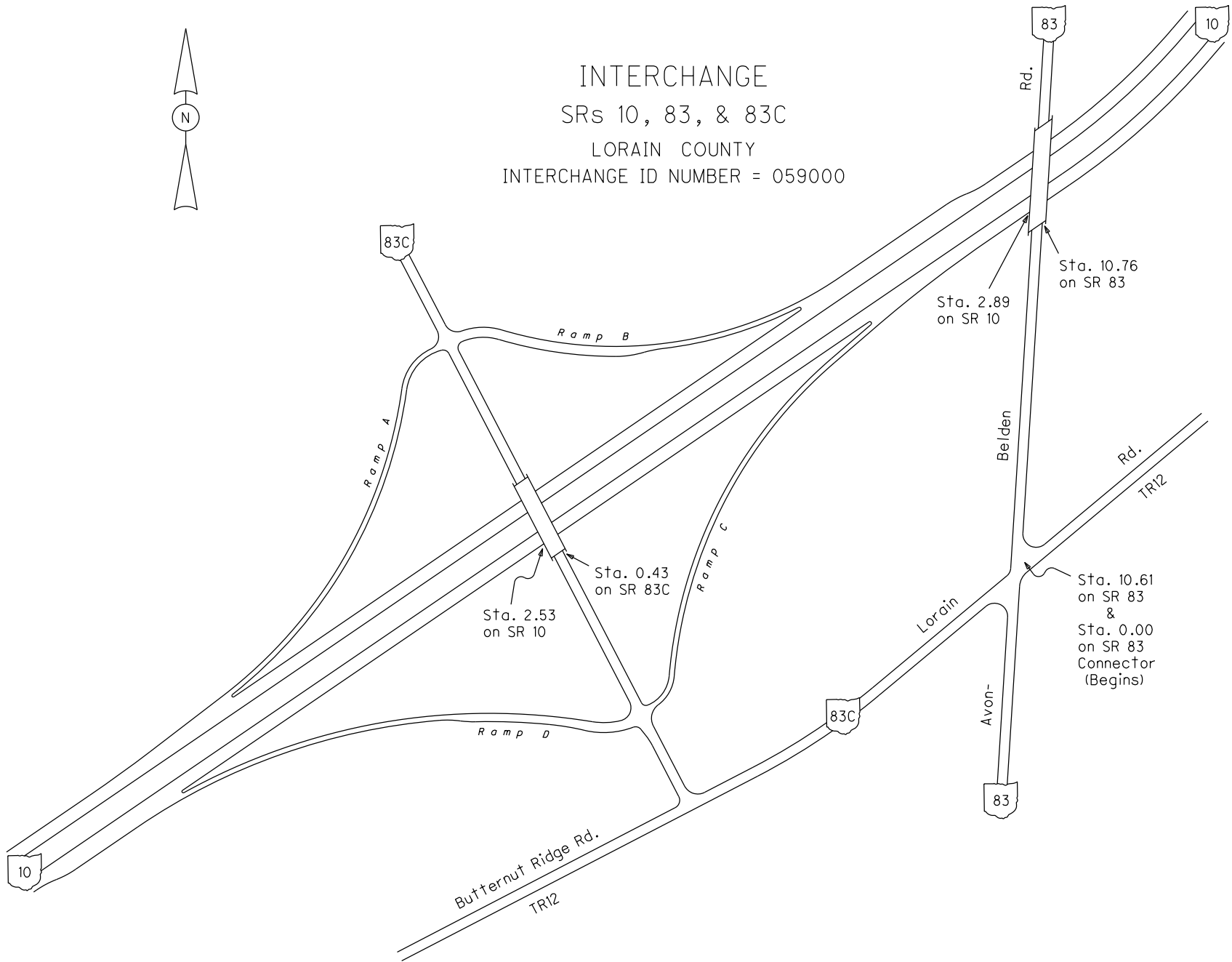
Created on: 7/1/2025



transportation.ohio.gov
 Prepared by
 The Ohio Department of Transportation
 Office of Technical Services
 Roadway Information



INTERCHANGE
SRs 10, 83, & 83C
LORAIN COUNTY
INTERCHANGE ID NUMBER = 059000



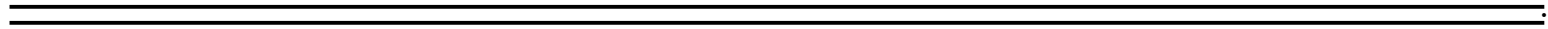
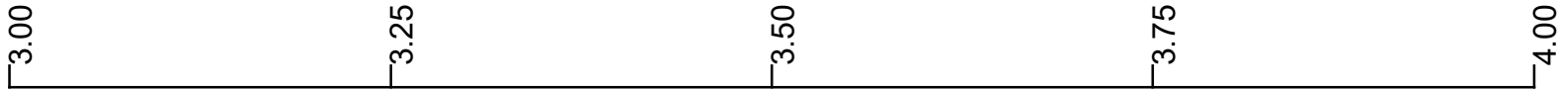
SR10 SHEET 1 OF 2
SR83 SHEET 3 OF 5
SR83C SHEET 1 OF 1

SLORSR00010**C

State True Log

4

County True Log



Surface Type & Width (Left / Right)

G 48'
0 - 5.824

Base Type (Left / Right)

N
0 - 5.824

Shoulder Type & Width (Left / Right)

2 (10'/10')
0 - 5.824

Median Type and Width

2 (28')
0 - 5.824

Resurface Year

2022
0 - 5.535

Through Lanes

4
0 - 5.824

Street Name

SR 10
0 - 5.824

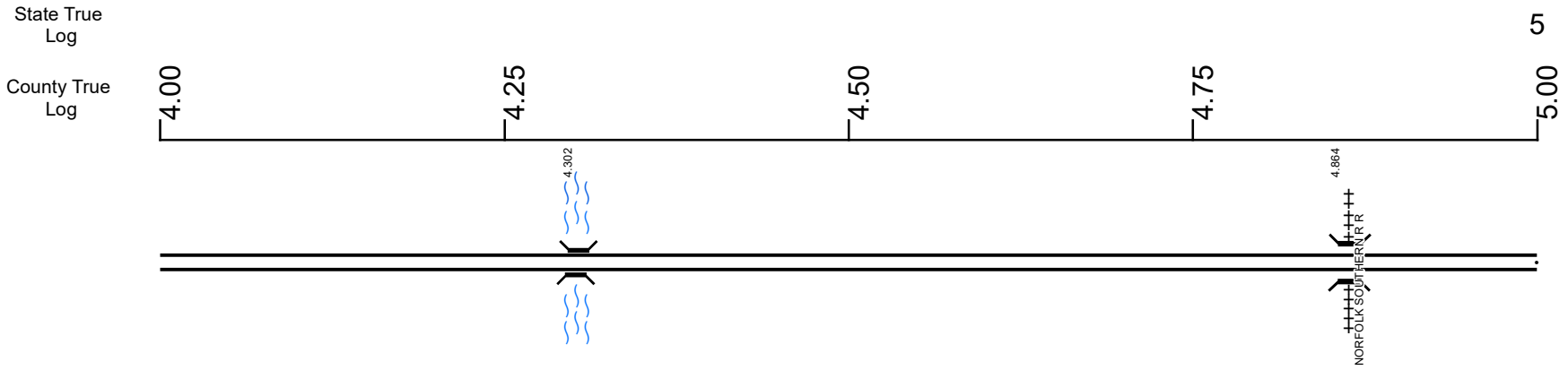
- | | | | |
|---------------------|-------------------|----------------------|--------------|
| Non-divided Highway | Bridge (on route) | Railroad (at grade) | Intersection |
| Divided Highway | Underpass | Railroad (underpass) | |
| Secondary Segment | Overpass | Railroad (overpass) | |
| Corporation | | | |

Created on: 7/1/2025

transportation.ohio.gov

Prepared by
The Ohio Department of Transportation
Office of Technical Services
Roadway Information

SLORSR00010**C



Surface Type & Width (Left / Right)	G 48'
	0 - 5.824
Base Type (Left / Right)	N
	0 - 5.824
Shoulder Type & Width (Left / Right)	2 (10'/10')
	0 - 5.824
Median Type and Width	2 (28')
	0 - 5.824
Resurface Year	2022
	0 - 5.535
Through Lanes	4
	0 - 5.824
Street Name	SR 10
	0 - 5.824

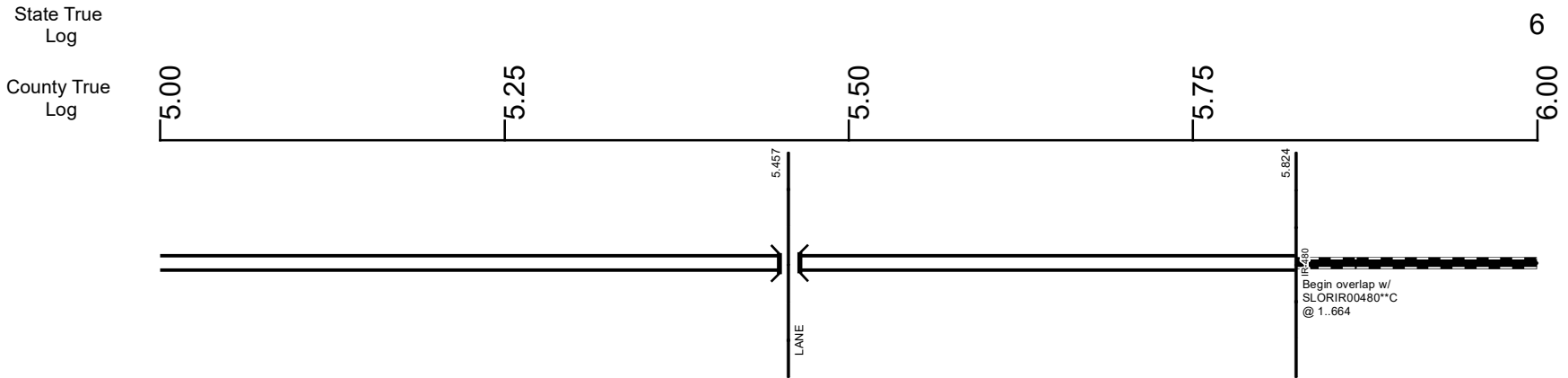
	Non-divided Highway		Bridge (on route)		Railroad (at grade)		Intersection
	Divided Highway		Underpass		Railroad (underpass)		
	Secondary Segment		Overpass		Railroad (overpass)		
	Corporation						

Created on: 7/1/2025



transportation.ohio.gov
 Prepared by
 The Ohio Department of Transportation
 Office of Technical Services
 Roadway Information

SLORSR00010**C



Surface Type & Width (Left / Right)	G 48'	
	0 - 5.824	
Base Type (Left / Right)	N	
	0 - 5.824	
Shoulder Type & Width (Left / Right)	2 (10'/10')	
	0 - 5.824	
Median Type and Width	2 (28')	
	0 - 5.824	
Resurface Year	2022	2021
	0 - 5.535	5.535 - 5.824
Through Lanes	4	
	0 - 5.824	
Street Name	SR 10	
	0 - 5.824	

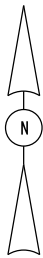
Non-divided Highway	Bridge (on route)	Railroad (at grade)	Intersection
Divided Highway	Underpass	Railroad (underpass)	
Secondary Segment	Overpass	Railroad (overpass)	
Corporation			

Created on: 7/1/2025

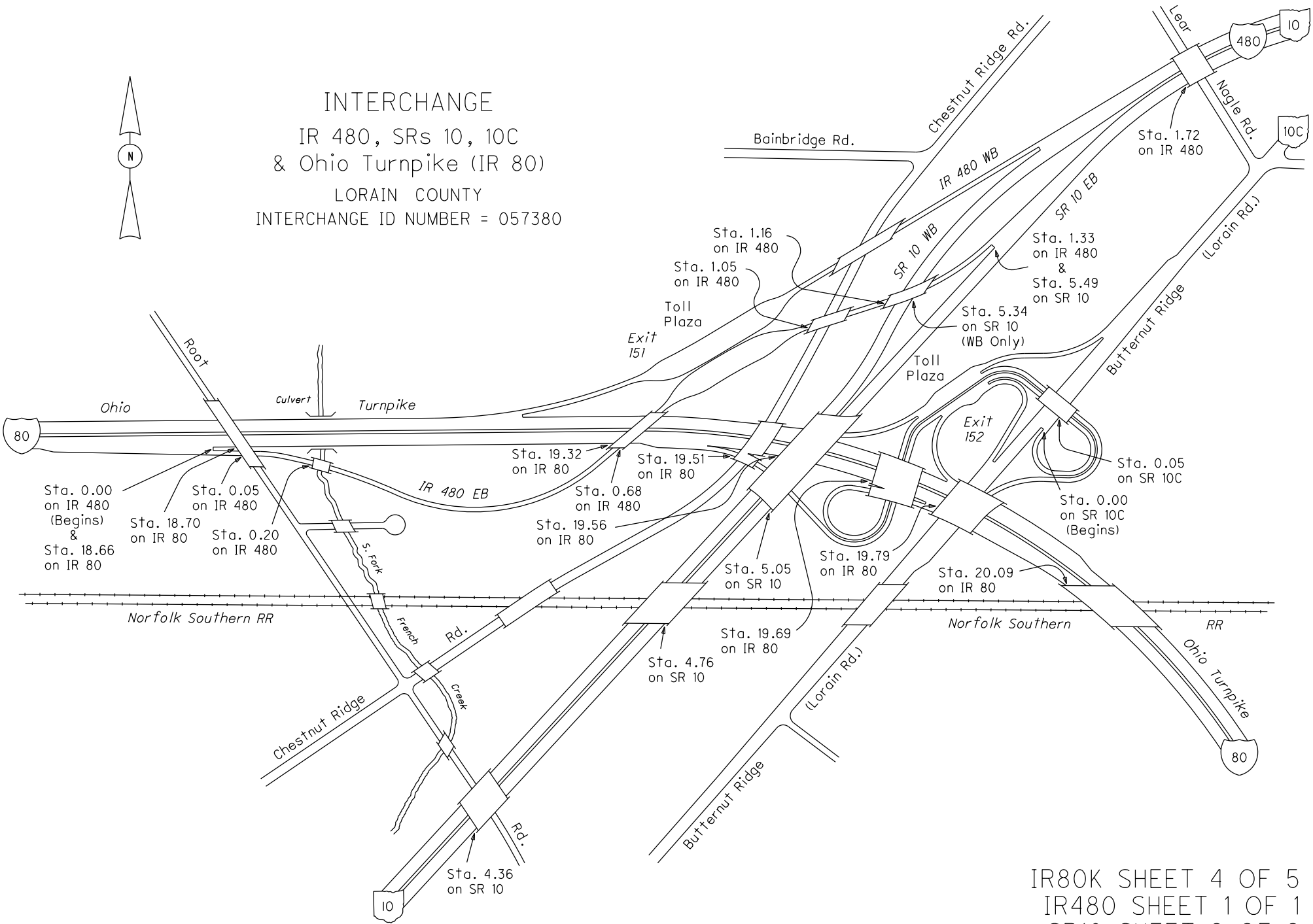


transportation.ohio.gov

Prepared by
The Ohio Department of Transportation
Office of Technical Services
Roadway Information



INTERCHANGE
IR 480, SRs 10, 10C
& Ohio Turnpike (IR 80)
LORAIN COUNTY
INTERCHANGE ID NUMBER = 057380



IR80K SHEET 4 OF 5
IR480 SHEET 1 OF 1
SR10 SHEET 2 OF 2
SR10C SHEET 1 OF 1

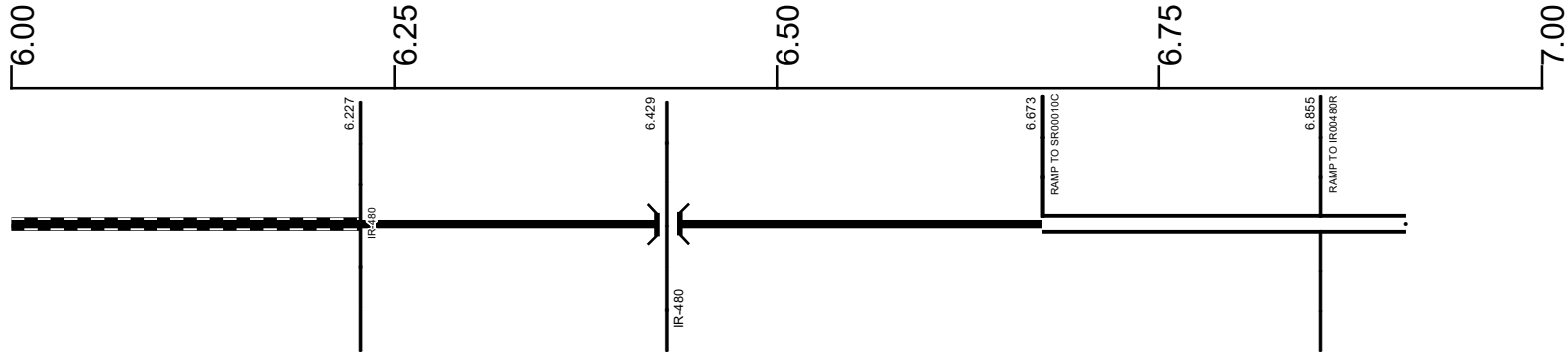
REVISED Jan 2005

SLORSR00010**C

State True Log

6.911

County True Log



Surface Type & Width (Left / Right)

	G 56'
6.227 - 6.673	6.673 - 6.911

Base Type (Left / Right)

L / N	
6.227 - 6.911	

Shoulder Type & Width (Left / Right)

5 (3'/3')	1 (0'/0')
6.227 - 6.673	6.673 - 6.911

Median Type and Width

3 (10')
6.673 - 6.911

Resurface Year

2021
6.227 - 6.673

Through Lanes

1	2
6.227 - 6.673	6.673 - 6.911

Street Name

SR 10	LORAIN RD
6.227 - 6.673	6.673 - 6.911

- Non-divided Highway
- Divided Highway
- Secondary Segment
- Corporation
- Bridge (on route)
- Underpass
- Overpass
- Railroad (at grade)
- Railroad (underpass)
- Railroad (overpass)
- Intersection

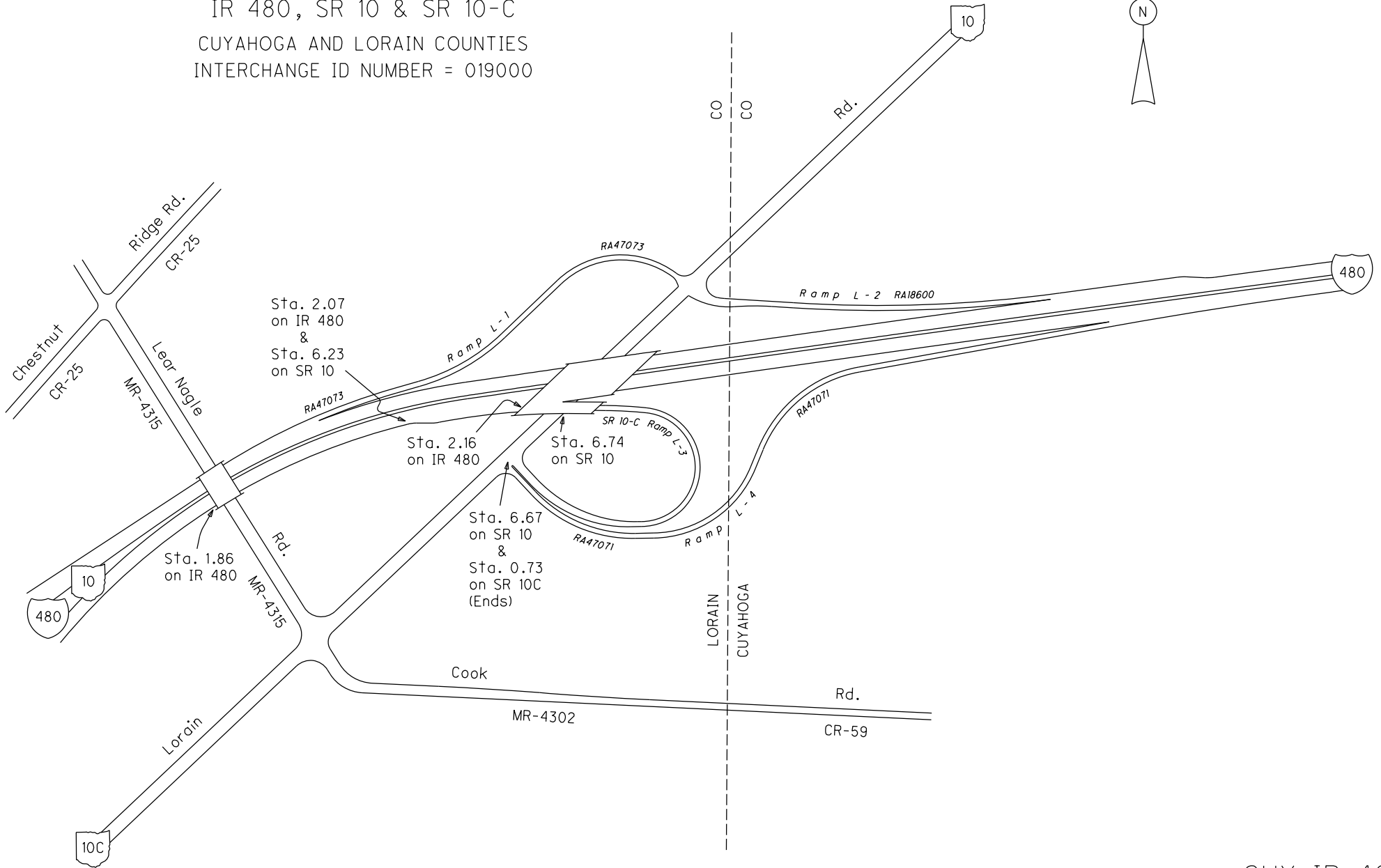
Created on: 7/1/2025



transportation.ohio.gov
 Prepared by
 The Ohio Department of Transportation
 Office of Technical Services
 Roadway Information

INTERCHANGE

IR 480, SR 10 & SR 10-C
CUYAHOGA AND LORAIN COUNTIES
INTERCHANGE ID NUMBER = 019000



CUY IR 480
LOR IR 480
LOR SR 10
LOR SR 10-C

Historical Project List for SLORSR00010**C

Begin Measure	End Measure	Project ID Number	Construction Completion Date	Treatment Category	Treatment Type
0.098	5.352	87684	5-2023	Minor Rehabilitation	60-AC Overlay w/Rpr
0.098	5.613	79757	11-2012	Preventive Maintenance	30-Microsurfacing
0.098	5.613	20228	12-2002	Minor Rehabilitation	50-AC Overlay w/o Rpr
5.352	5.613	79759	9-2022	Minor Rehabilitation	60-AC Overlay w/Rpr
6.378	6.673	79759	9-2022	Minor Rehabilitation	40-CPR

Roadway Codes

Access Control Journalized

- F - Full Access Control
- L - Limited Access Control
- N - No Access Control

Access Control Operational

- 1 - Full Access Control
- 2 - Partial Access Control
- 3 - No Access Control

Base Type

- F - Crack and Seat
- H - Rubblize and Roll
- I - Aggregate Base 304 or Traffic Compacted
- K - Water Bound Macadam
- L - Bituminous Concrete Mix or Penetration Macadam
- N - Plain Concrete
- P - Reinforced Concrete
- R - Brick (Flexible)
- T - Brick (Rigid)

Direction of Travel

- B - Both (Two-way)
- F - One-way Cardinal
- T - One-way Non-cardinal

Facility Type

- 1 - One-way Roadway
- 2 - Two-way Roadway
- 4 - Ramp
- 5 - Non-mainline
- 6 - Non-inventory Direction
- 7 - Planned / Unbuilt

Historical Federal Aid Indicator

- N - Not a FAP Route
- Y - FAP Route

Functional Classification

- 01 - Interstate
- 02 - Principal Arterial (Freeways)
- 03 - Principal Arterial (Other)
- 04 - Minor Arterial
- 05 - Major Collector
- 06 - Minor Collector
- 07 - Local

Leave / Reenter Indicator

- Y - Route leaves/reenters at this point
- N - Route does not leave/reenter at this point

Median Type

- 1 - None
- 2 - Unprotected
- 3 - Curbed
- 4 - Positive Barrier (Unspecified)
- 5 - Positive Barrier (Flexible)
- 6 - Positive Barrier (Semi-rigid)
- 7 - Positive Barrier (Rigid)

NHS

- N - National Highway System
- H - Congressional Corridor
- 2 - Major Airport
- 3 - Major Port Facility
- 4 - Major Amtrak Station
- 5 - Major Rail / Truck Terminal
- 6 - Major Intercity Bus Terminal
- 7 - Major Public Transit / Multi-modal Passenger Terminal
- 8 - Major Pipeline Terminal
- 9 - Major Ferry Terminal

Priority System

- G - General
- P - Priority System
- U - Urban

Scenic Byway Code

- A - All American Road
- N - National Scenic Byway
- S - State Scenic Byway

Shoulder Type

- 1 - None
- 2 - Surfaced shoulder exists (bituminous concrete {AC})
- 3 - Surfaced shoulder exists (Portland Cement Concrete {PCC})
- 4 - Stabilized shoulder exists (gravel or other granular material)
- 5 - Combination shoulder exists (two or more surface types)
- 6 - Earth shoulder exists
- 7 - Barrier curb exists; no shoulder in front of curb

Surface Type

- A - Combination
- B - Brick
- C - Continuous Reinforced Concrete
- D - Reinforced Concrete
- E - Plain Concrete
- G - Bituminous Concrete
- I - Chipseal on Granular
- K - Open Graded Bituminous
- L - Chipseal or Micro
- M - Gravel
- U - Unimproved
- X - Right of Way Only