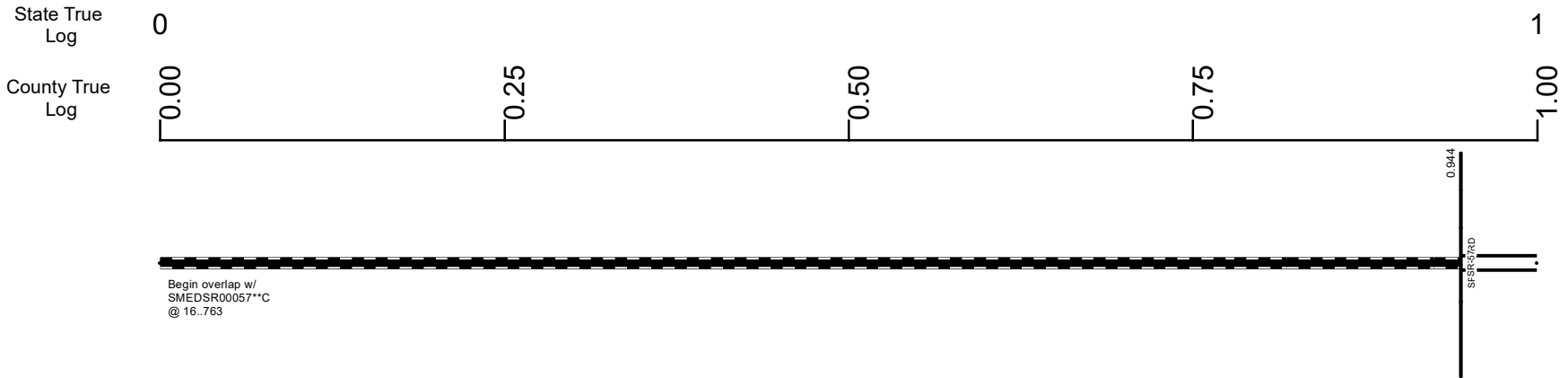


# SMEDSR00252\*\*C



Begin overlap w/  
SMEDSR00057\*\*C  
@ 16..763

G 24'	0.944 - 1.018
Base Type (Left / Right)	
L	0.944 - 1.018
1 (0'/0')	0.944 - 1.018
Median Type and Width	
3 (20')	0.944 - 1.074
Through Lanes	
2	0.944 - 7.794
Street Name	
COLUMBIA RD	0.944 - 7.794

Non-divided Highway	Bridge (on route)	Railroad (at grade)	Intersection
Divided Highway	Underpass	Railroad (underpass)	
Secondary Segment	Overpass	Railroad (overpass)	
Corporation			

Created on: 7/2/2025

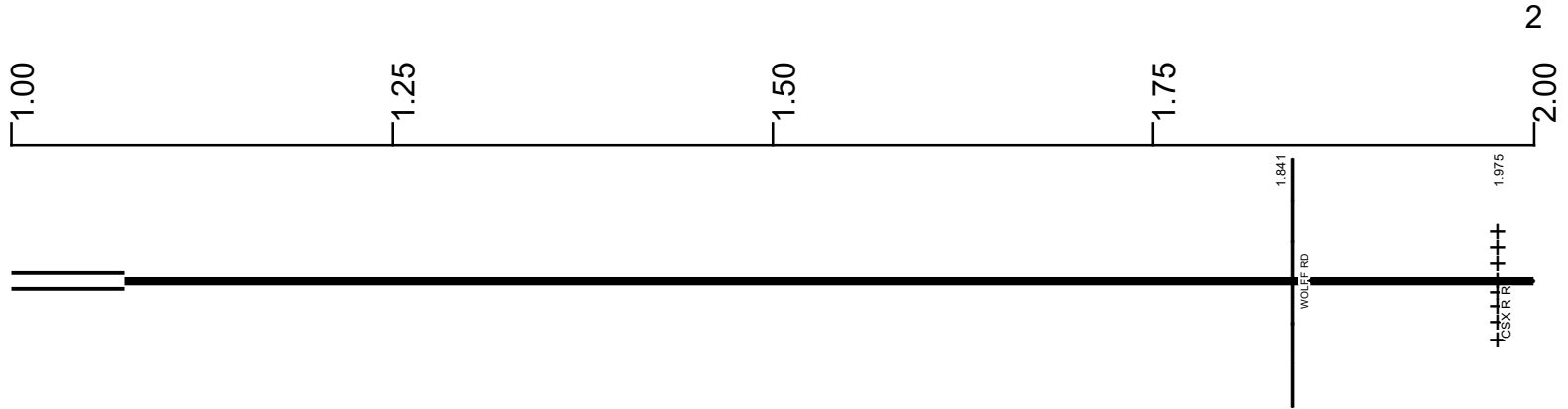
transportation.ohio.gov

Prepared by  
The Ohio Department of Transportation  
Office of Technical Services  
Roadway Information

# SMEDSR00252\*\*C

State True Log

County True Log



**Surface Type & Width (Left / Right)**

G (24')	G 20'	G (10'/24')	G 20'
0.944 - 1.018	1.018 - 1.27	1.27 - 1.631	1.631 - 4.735

**Base Type (Left / Right)**

L	I	L/I	I
0.944 - 1.018	1.018 - 1.27	1.27 - 1.631	1.631 - 7.794

**Shoulder Type & Width (Left / Right)**

1 (0'/0')	2 (0'/0')	2 (3'/3')	2 (2'/2')	2 (3'/3')
	1.018 - 1.074	1.074 - 1.27	1.27 - 1.631	1.631 - 4.735

**Median Type and Width**

3 (20')

Through Lanes

	2
	0.944 - 7.794

Street Name

	COLUMBIA RD
	0.944 - 7.794

- Non-divided Highway
- Divided Highway
- Secondary Segment
- Corporation
- Bridge (on route)
- Underpass
- Overpass
- Railroad (at grade)
- Railroad (underpass)
- Railroad (overpass)
- Intersection

Created on: 7/2/2025

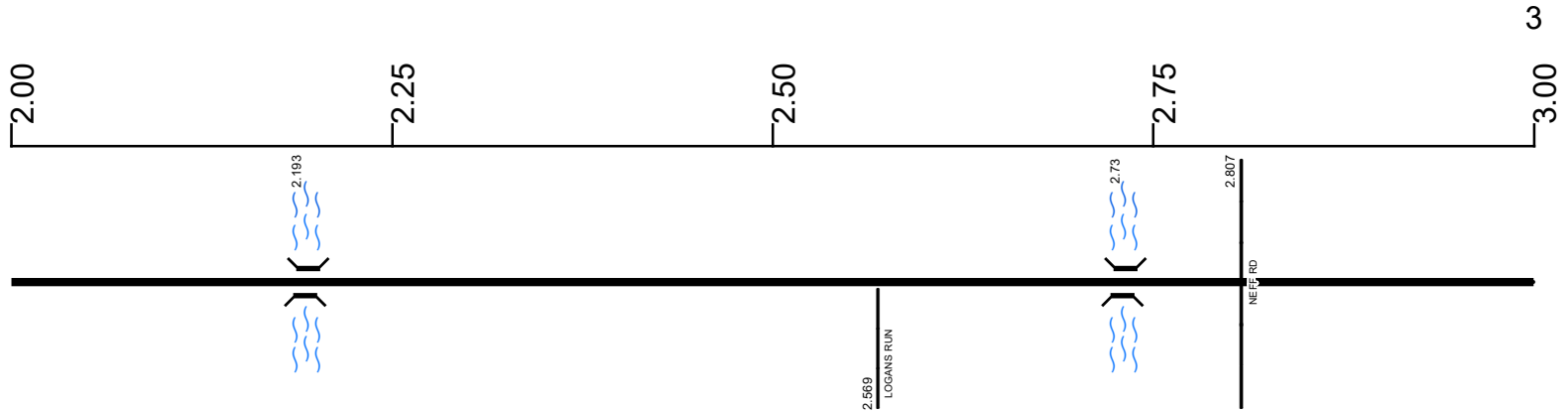
transportation.ohio.gov

Prepared by  
The Ohio Department of Transportation  
Office of Technical Services  
Roadway Information

# SMEDSR00252\*\*C

State True Log

County True Log



Surface Type & Width (Left / Right)

G 20'  
1.631 - 4.735

Base Type (Left / Right)

I  
1.631 - 7.794

Shoulder Type & Width (Left / Right)

2 (3/3)  
1.631 - 4.735

Through Lanes

2  
0.944 - 7.794

Street Name

COLUMBIA RD  
0.944 - 7.794

- |                     |                   |                      |              |
|---------------------|-------------------|----------------------|--------------|
| Non-divided Highway | Bridge (on route) | Railroad (at grade)  | Intersection |
| Divided Highway     | Underpass         | Railroad (underpass) |              |
| Secondary Segment   | Overpass          | Railroad (overpass)  |              |
| Corporation         |                   |                      |              |

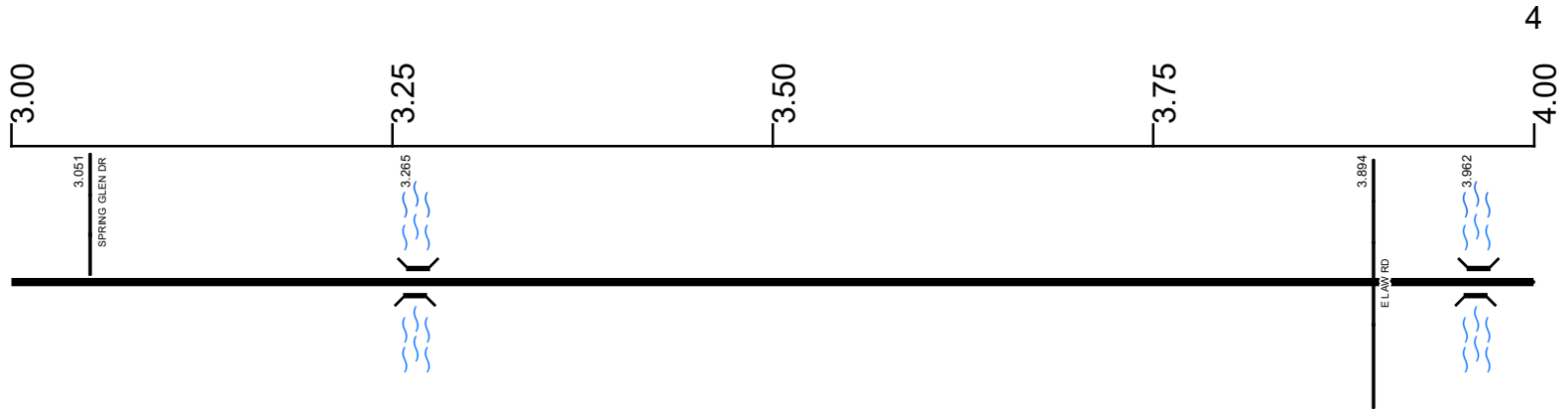
Created on: 7/2/2025

Prepared by  
The Ohio Department of Transportation  
Office of Technical Services  
Roadway Information

# SMEDSR00252\*\*C

State True Log

County True Log



Surface Type & Width (Left / Right)

G 20'  
1.631 - 4.735

Base Type (Left / Right)

I  
1.631 - 7.794

Shoulder Type & Width (Left / Right)

2 (3/3)  
1.631 - 4.735

Through Lanes

2  
0.944 - 7.794

Street Name

COLUMBIA RD  
0.944 - 7.794

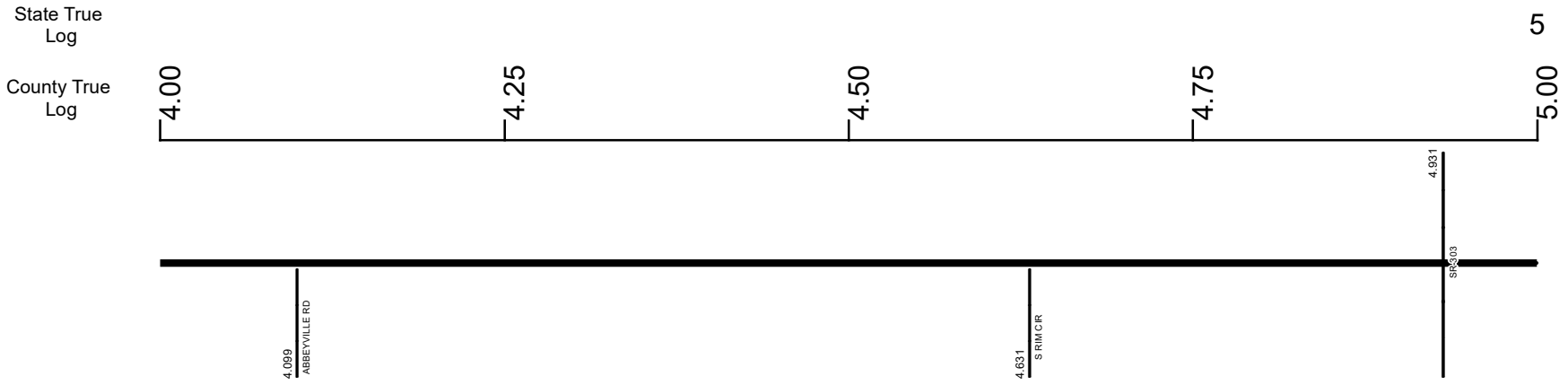
- Non-divided Highway
- Divided Highway
- Secondary Segment
- Corporation
- Bridge (on route)
- Underpass
- Overpass
- Railroad (at grade)
- Railroad (underpass)
- Railroad (overpass)
- Intersection

Created on: 7/2/2025



transportation.ohio.gov  
Prepared by  
The Ohio Department of Transportation  
Office of Technical Services  
Roadway Information

# SMEDSR00252\*\*C



Surface Type & Width (Left / Right)	
G 20'	G 24'
1.631 - 4.735	4.735 - 5.192
Base Type (Left / Right)	
I	
1.631 - 7.794	
Shoulder Type & Width (Left / Right)	
2 (3'/3')	2 (10'/10')
1.631 - 4.735	4.735 - 5.192
Through Lanes	
2	
0.944 - 7.794	
Street Name	
COLUMBIA RD	
0.944 - 7.794	

- Non-divided Highway
- Divided Highway
- Secondary Segment
- Corporation
- Bridge (on route)
- Underpass
- Overpass
- Railroad (at grade)
- Railroad (underpass)
- Railroad (overpass)
- Intersection

Created on: 7/2/2025

transportation.ohio.gov

Prepared by

The Ohio Department of Transportation

Office of Technical Services

Roadway Information

# SMEDSR00252\*\*C

State True  
Log

6

County True  
Log



**Surface Type & Width (Left / Right)**

G 24' 4.735 - 5.192	G 20' 5.192 - 7.794
------------------------	------------------------

**Base Type (Left / Right)**

	I 1.631 - 7.794
--	--------------------

**Shoulder Type & Width (Left / Right)**

2 (10'/10') 4.735 - 5.192	2 (3'/3') 5.192 - 7.794
------------------------------	----------------------------

**Through Lanes**

	2 0.944 - 7.794
--	--------------------

**Street Name**

	COLUMBIA RD 0.944 - 7.794
--	------------------------------

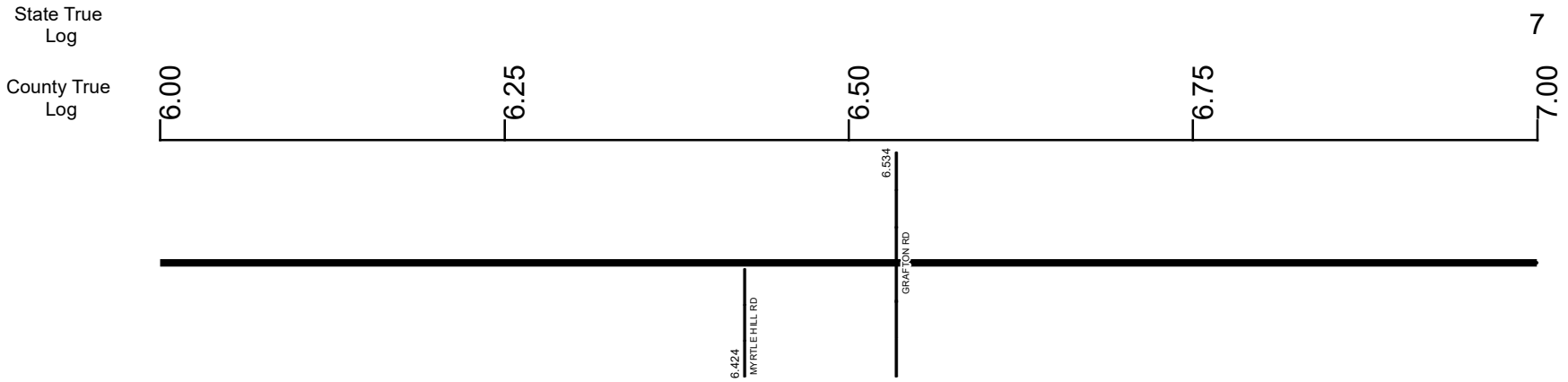
- |  |   |   |   |
|--|---|---|---|
| <ul style="list-style-type: none"> <li> Non-divided Highway</li> <li> Divided Highway</li> <li> Secondary Segment</li> <li> Corporation</li> </ul> | <ul style="list-style-type: none"> <li> Bridge (on route)</li> <li> Underpass</li> <li> Overpass</li> </ul> | <ul style="list-style-type: none"> <li> Railroad (at grade)</li> <li> Railroad (underpass)</li> <li> Railroad (overpass)</li> </ul> | <ul style="list-style-type: none"> <li> Intersection</li> </ul> |
|--|---|---|---|

Created on: 7/2/2025

transportation.ohio.gov

Prepared by  
The Ohio Department of Transportation  
Office of Technical Services  
Roadway Information

# SMEDSR00252\*\*C



Surface Type & Width (Left / Right)	G 20' 5.192 - 7.794
Base Type (Left / Right)	I 1.631 - 7.794
Shoulder Type & Width (Left / Right)	2 (3/3) 5.192 - 7.794
Through Lanes	2 0.944 - 7.794
Street Name	COLUMBIA RD 0.944 - 7.794

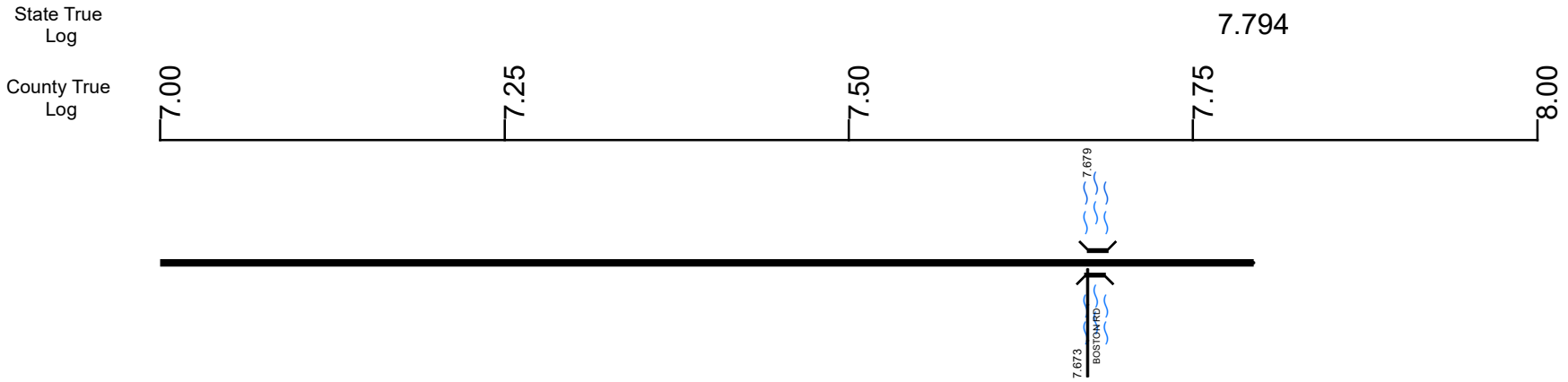
<ul style="list-style-type: none"> <li> Non-divided Highway</li> <li> Divided Highway</li> <li> Secondary Segment</li> <li> Corporation</li> </ul>	<ul style="list-style-type: none"> <li> Bridge (on route)</li> <li> Underpass</li> <li> Overpass</li> </ul>	<ul style="list-style-type: none"> <li> Railroad (at grade)</li> <li> Railroad (underpass)</li> <li> Railroad (overpass)</li> </ul>	<ul style="list-style-type: none"> <li> Intersection</li> </ul>
--	---	---	---

Created on: 7/2/2025

transportation.ohio.gov

Prepared by  
The Ohio Department of Transportation  
Office of Technical Services  
Roadway Information

# SMEDSR00252\*\*C



Surface Type & Width (Left / Right)	G 20'
	5.192 - 7.794
Base Type (Left / Right)	I
	1.631 - 7.794
Shoulder Type & Width (Left / Right)	2 (3/3')
	5.192 - 7.794
Through Lanes	2
	0.944 - 7.794
Street Name	COLUMBIA RD
	0.944 - 7.794

- Non-divided Highway
- Divided Highway
- Secondary Segment
- Corporation
- Bridge (on route)
- Underpass
- Overpass
- Railroad (at grade)
- Railroad (underpass)
- Railroad (overpass)
- Intersection

Created on: 7/2/2025

transportation.ohio.gov  
 Prepared by  
 The Ohio Department of Transportation  
 Office of Technical Services  
 Roadway Information

## Historical Project List for SMEDSR00252\*\*C

Begin Measure	End Measure	Project ID Number	Construction Completion Date	Treatment Category	Treatment Type
1.079	7.784	106876	8-2020	Minor Rehabilitation	38-Fine Poly AC Overlay

# Roadway Codes

## Access Control Journalized

- F - Full Access Control
- L - Limited Access Control
- N - No Access Control

## Access Control Operational

- 1 - Full Access Control
- 2 - Partial Access Control
- 3 - No Access Control

## Base Type

- F - Crack and Seat
- H - Rubblize and Roll
- I - Aggregate Base 304 or Traffic Compacted
- K - Water Bound Macadam
- L - Bituminous Concrete Mix or Penetration Macadam
- N - Plain Concrete
- P - Reinforced Concrete
- R - Brick (Flexible)
- T - Brick (Rigid)

## Direction of Travel

- B - Both (Two-way)
- F - One-way Cardinal
- T - One-way Non-cardinal

## Facility Type

- 1 - One-way Roadway
- 2 - Two-way Roadway
- 4 - Ramp
- 5 - Non-mainline
- 6 - Non-inventory Direction
- 7 - Planned / Unbuilt

## Historical Federal Aid Indicator

- N - Not a FAP Route
- Y - FAP Route

## Functional Classification

- 01 - Interstate
- 02 - Principal Arterial (Freeways)
- 03 - Principal Arterial (Other)
- 04 - Minor Arterial
- 05 - Major Collector
- 06 - Minor Collector
- 07 - Local

## Leave / Reenter Indicator

- Y - Route leaves/reenters at this point
- N - Route does not leave/reenter at this point

## Median Type

- 1 - None
- 2 - Unprotected
- 3 - Curbed
- 4 - Positive Barrier (Unspecified)
- 5 - Positive Barrier (Flexible)
- 6 - Positive Barrier (Semi-rigid)
- 7 - Positive Barrier (Rigid)

## NHS

- N - National Highway System
- H - Congressional Corridor
- 2 - Major Airport
- 3 - Major Port Facility
- 4 - Major Amtrak Station
- 5 - Major Rail / Truck Terminal
- 6 - Major Intercity Bus Terminal
- 7 - Major Public Transit / Multi-modal Passenger Terminal
- 8 - Major Pipeline Terminal
- 9 - Major Ferry Terminal

## Priority System

- G - General
- P - Priority System
- U - Urban

## Scenic Byway Code

- A - All American Road
- N - National Scenic Byway
- S - State Scenic Byway

## Shoulder Type

- 1 - None
- 2 - Surfaced shoulder exists (bituminous concrete {AC})
- 3 - Surfaced shoulder exists (Portland Cement Concrete {PCC})
- 4 - Stabilized shoulder exists (gravel or other granular material)
- 5 - Combination shoulder exists (two or more surface types)
- 6 - Earth shoulder exists
- 7 - Barrier curb exists; no shoulder in front of curb

## Surface Type

- A - Combination
- B - Brick
- C - Continuous Reinforced Concrete
- D - Reinforced Concrete
- E - Plain Concrete
- G - Bituminous Concrete
- I - Chipseal on Granular
- K - Open Graded Bituminous
- L - Chipseal or Micro
- M - Gravel
- U - Unimproved
- X - Right of Way Only