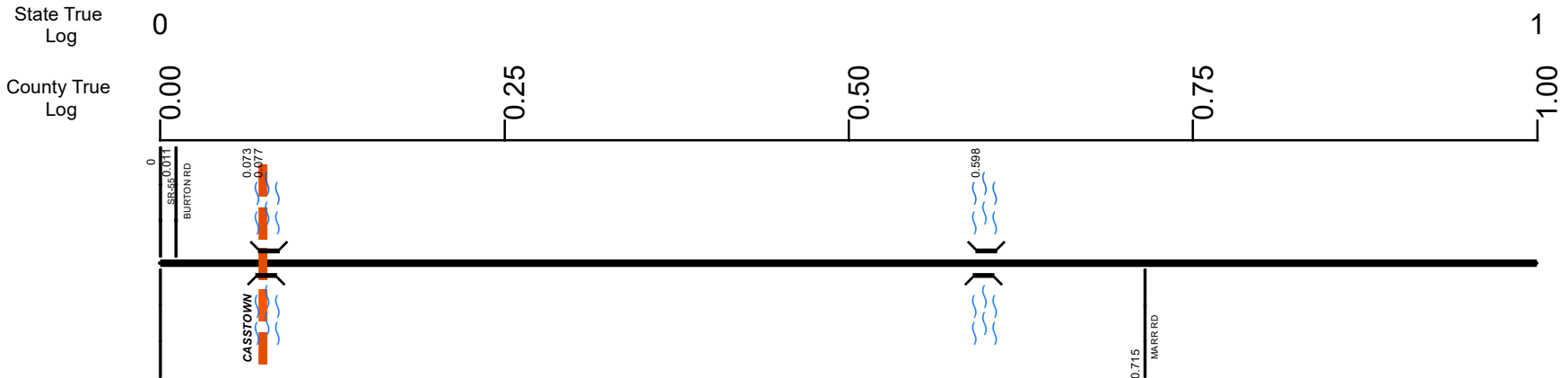


# SMIASR00589\*\*C



<b>Surface Type &amp; Width (Left / Right)</b>	
G (23' / 24')	G 20'
0 - 0.05	0.05 - 6.472
<b>Base Type (Left / Right)</b>	
	I
	0 - 6.472
<b>Shoulder Type &amp; Width (Left / Right)</b>	
1 (0' / 0')	2 (2' / 2')
0 - 0.05	0.05 - 6.472
<b>Through Lanes</b>	
	2
	0 - 6.472
<b>Street Name</b>	
	MAIN ST
	0 - 6.472

<ul style="list-style-type: none"> <li> Non-divided Highway</li> <li> Divided Highway</li> <li> Secondary Segment</li> <li> Corporation</li> </ul>	<ul style="list-style-type: none"> <li> Bridge (on route)</li> <li> Underpass</li> <li> Overpass</li> </ul>	<ul style="list-style-type: none"> <li> Railroad (at grade)</li> <li> Railroad (underpass)</li> <li> Railroad (overpass)</li> </ul>	<ul style="list-style-type: none"> <li> Intersection</li> </ul>
--	---	---	---

Created on: 7/3/2025

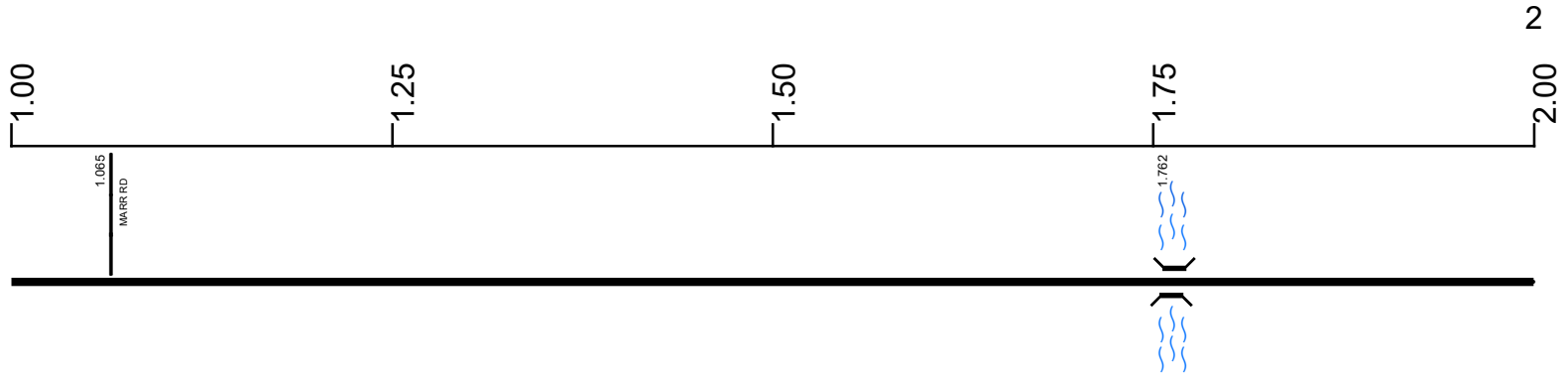
transportation.ohio.gov

Prepared by  
The Ohio Department of Transportation  
Office of Technical Services  
Roadway Information

# SMIASR00589\*\*C

State True Log

County True Log



Surface Type & Width (Left / Right)

G 20'  
0.05 - 6.472

Base Type (Left / Right)

I  
0 - 6.472

Shoulder Type & Width (Left / Right)

2 (2/2)  
0.05 - 6.472

Through Lanes

2  
0 - 6.472

Street Name

MAIN ST  
0 - 6.472

- |                     |                   |                      |              |
|---------------------|-------------------|----------------------|--------------|
| Non-divided Highway | Bridge (on route) | Railroad (at grade)  | Intersection |
| Divided Highway     | Underpass         | Railroad (underpass) |              |
| Secondary Segment   | Overpass          | Railroad (overpass)  |              |
| Corporation         |                   |                      |              |

Created on: 7/3/2025

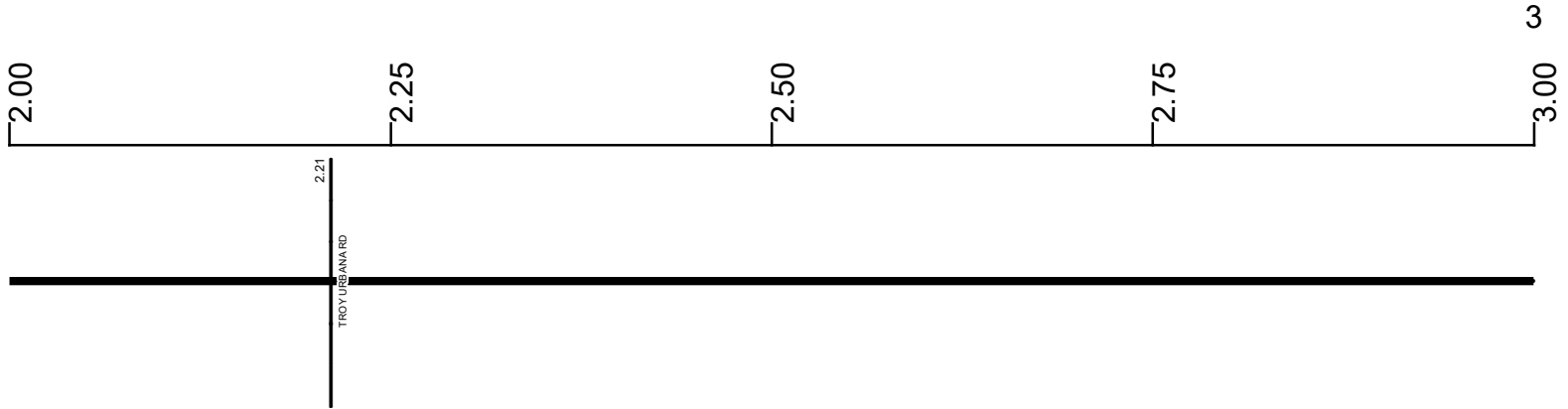


transportation.ohio.gov  
Prepared by  
The Ohio Department of Transportation  
Office of Technical Services  
Roadway Information

# SMIASR00589\*\*C

State True Log

County True Log



Surface Type & Width (Left / Right)

G 20'  
0.05 - 6.472

Base Type (Left / Right)

I  
0 - 6.472

Shoulder Type & Width (Left / Right)

2 (2'/2')  
0.05 - 6.472

Through Lanes

2  
0 - 6.472

Street Name

MAIN ST  
0 - 6.472

- Non-divided Highway
  Bridge (on route)
  Railroad (at grade)
  Intersection
- Divided Highway
  Underpass
  Railroad (underpass)
- Secondary Segment
  Overpass
  Railroad (overpass)
- Corporation**

Created on: 7/3/2025



transportation.ohio.gov

Prepared by  
The Ohio Department of Transportation  
Office of Technical Services  
Roadway Information

# SMIASR00589\*\*C

State True Log

4

County True Log



3.485  
E PETERSON RD

Surface Type & Width (Left / Right)

G 20'  
0.05 - 6.472

Base Type (Left / Right)

I  
0 - 6.472

Shoulder Type & Width (Left / Right)

2 (2/2)  
0.05 - 6.472

Through Lanes

2  
0 - 6.472

Street Name

MAIN ST  
0 - 6.472

- Non-divided Highway
- Divided Highway
- Secondary Segment
- Corporation
- Bridge (on route)
- Underpass
- Overpass
- Railroad (at grade)
- Railroad (underpass)
- Railroad (overpass)
- Intersection

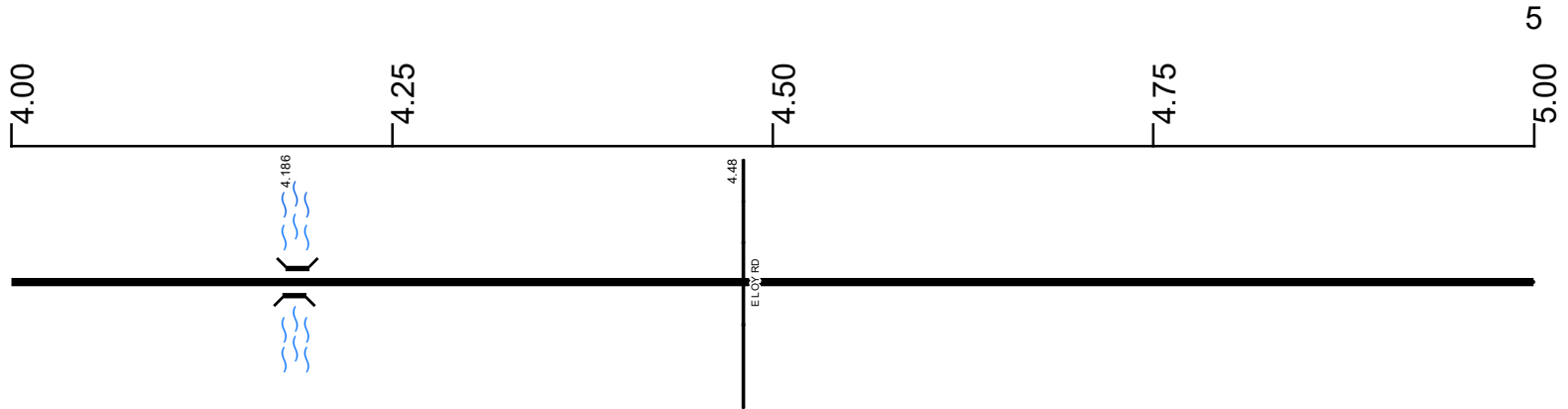
Created on: 7/3/2025

transportation.ohio.gov  
Prepared by  
The Ohio Department of Transportation  
Office of Technical Services  
Roadway Information

# SMIASR00589\*\*C

State True Log

County True Log



Surface Type & Width (Left / Right)

G 20'  
0.05 - 6.472

Base Type (Left / Right)

I  
0 - 6.472

Shoulder Type & Width (Left / Right)

2 (2/2)  
0.05 - 6.472

Through Lanes

2  
0 - 6.472

Street Name

MAIN ST  
0 - 6.472

- |                     |                   |                      |              |
|---------------------|-------------------|----------------------|--------------|
| Non-divided Highway | Bridge (on route) | Railroad (at grade)  | Intersection |
| Divided Highway     | Underpass         | Railroad (underpass) |              |
| Secondary Segment   | Overpass          | Railroad (overpass)  |              |
| Corporation         |                   |                      |              |

Created on: 7/3/2025

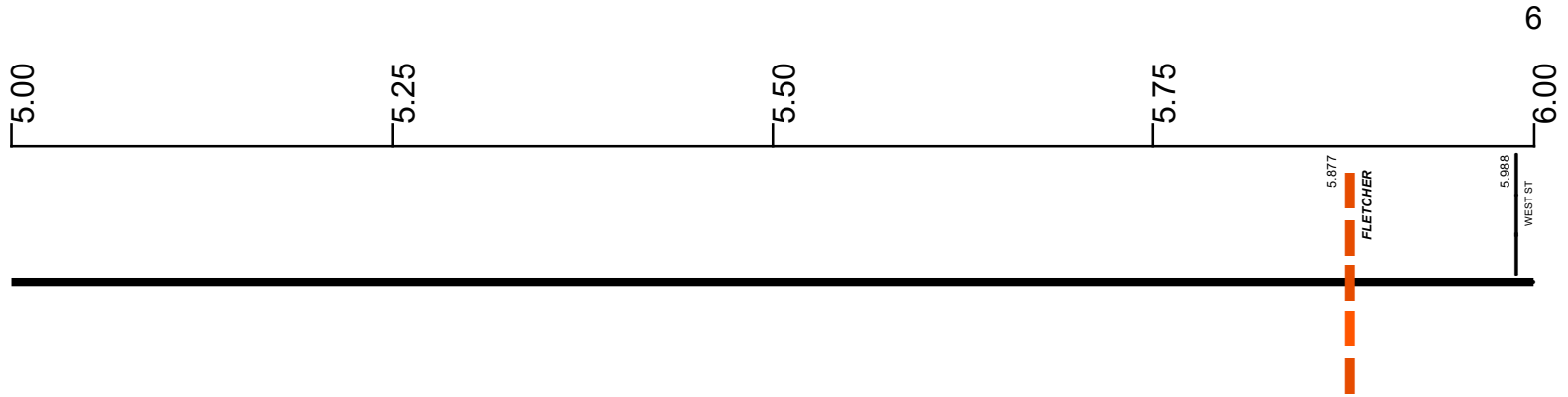


Prepared by  
The Ohio Department of Transportation  
Office of Technical Services  
Roadway Information

# SMIASR00589\*\*C

State True Log

County True Log



Surface Type & Width (Left / Right)

G 20'  
0.05 - 6.472

Base Type (Left / Right)

I  
0 - 6.472

Shoulder Type & Width (Left / Right)

2 (2/2)  
0.05 - 6.472

Through Lanes

2  
0 - 6.472

Street Name

MAIN ST  
0 - 6.472

- |                     |                   |                      |              |
|---------------------|-------------------|----------------------|--------------|
| Non-divided Highway | Bridge (on route) | Railroad (at grade)  | Intersection |
| Divided Highway     | Underpass         | Railroad (underpass) |              |
| Secondary Segment   | Overpass          | Railroad (overpass)  |              |
| <b>Corporation</b>  |                   |                      |              |

Created on: 7/3/2025

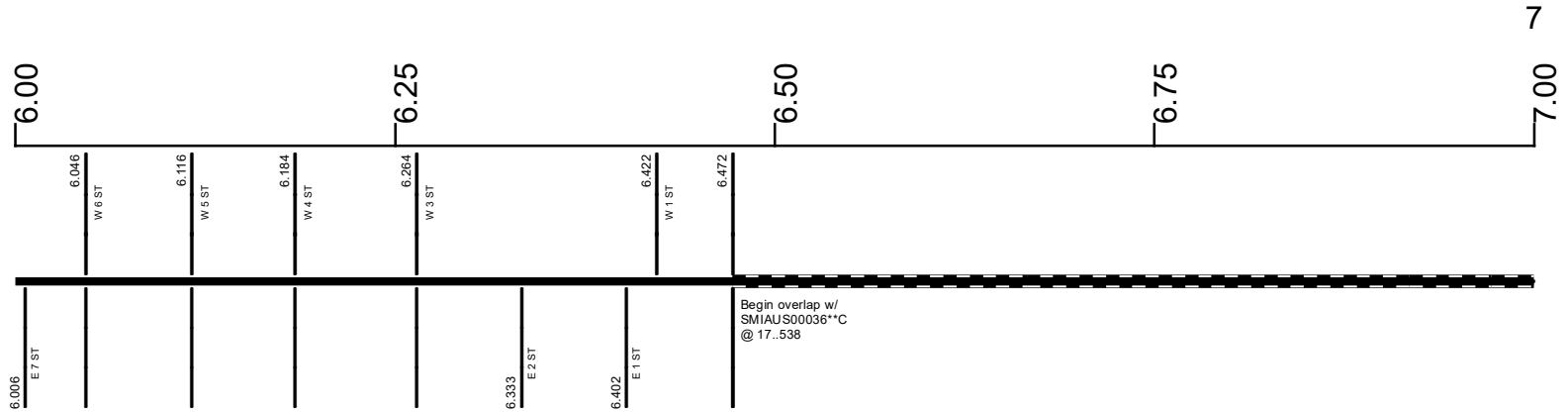


transportation.ohio.gov  
Prepared by  
The Ohio Department of Transportation  
Office of Technical Services  
Roadway Information

# SMIASR00589\*\*C

State True  
Log

County True  
Log



Surface Type & Width (Left / Right)	G 20'	0.05 - 6.472
Base Type (Left / Right)	I	0 - 6.472
Shoulder Type & Width (Left / Right)	2 (2'1/2')	0.05 - 6.472
Through Lanes	2	0 - 6.472
Street Name	MAIN ST	0 - 6.472

- Non-divided Highway
- Divided Highway
- Secondary Segment
- Corporation
- Bridge (on route)
- Underpass
- Overpass
- Railroad (at grade)
- Railroad (underpass)
- Railroad (overpass)
- Intersection

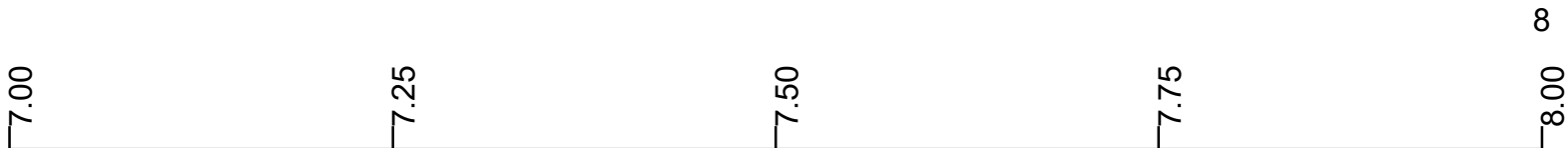
Created on: 7/3/2025

Prepared by  
The Ohio Department of Transportation  
Office of Technical Services  
Roadway Information

SMIASR00589\*\*C

State True Log

County True Log



- |                     |                   |                      |              |
|---------------------|-------------------|----------------------|--------------|
| Non-divided Highway | Bridge (on route) | Railroad (at grade)  | Intersection |
| Divided Highway     | Underpass         | Railroad (underpass) |              |
| Secondary Segment   | Overpass          | Railroad (overpass)  |              |
| Corporation         |                   |                      |              |

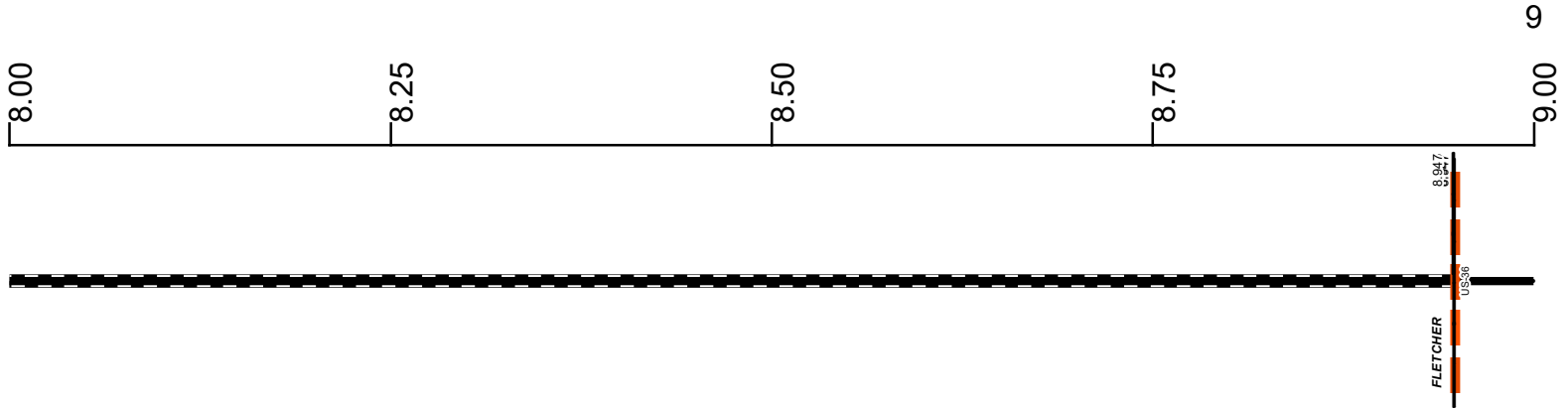
Created on: 7/3/2025

Prepared by  
The Ohio Department of Transportation  
Office of Technical Services  
Roadway Information

# SMIASR00589\*\*C

State True Log

County True Log



G (5/19')
8.947 - 11.97
Base Type (Left / Right)
L / I
8.947 - 11.97
2 (2'/2')
8.947 - 11.97
Through Lanes
2
8.947 - 11.97
Street Name
SR 589
8.947 - 11.97

- |                     |                   |                      |              |
|---------------------|-------------------|----------------------|--------------|
| Non-divided Highway | Bridge (on route) | Railroad (at grade)  | Intersection |
| Divided Highway     | Underpass         | Railroad (underpass) |              |
| Secondary Segment   | Overpass          | Railroad (overpass)  |              |
| Corporation         |                   |                      |              |

Created on: 7/3/2025



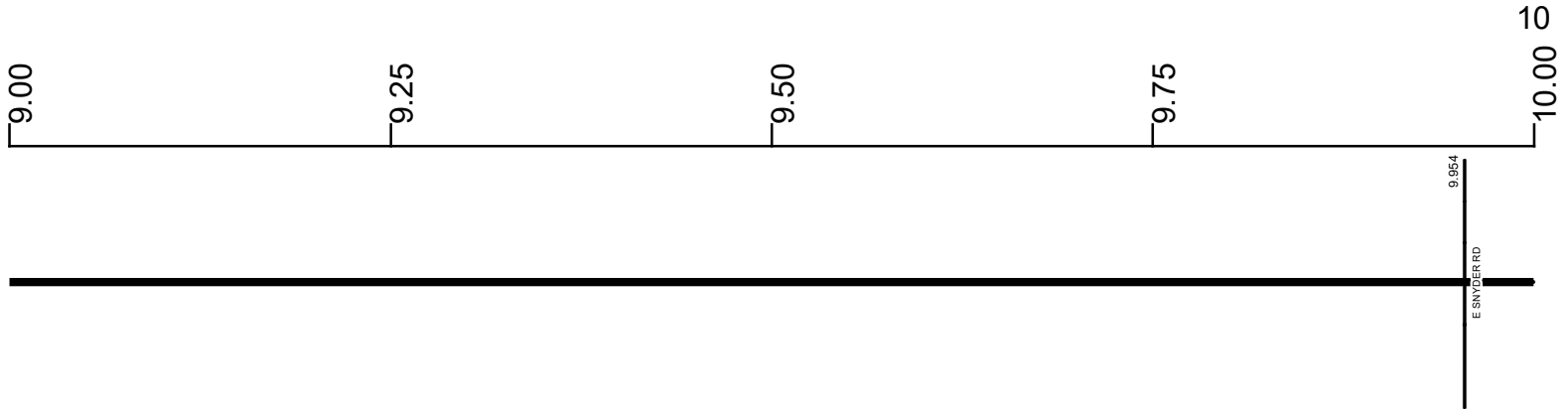
transportation.ohio.gov

Prepared by  
The Ohio Department of Transportation  
Office of Technical Services  
Roadway Information

# SMIASR00589\*\*C

State True Log

County True Log



Surface Type & Width (Left / Right)

G (5'/19')  
8.947 - 11.97

Base Type (Left / Right)

L / I  
8.947 - 11.97

Shoulder Type & Width (Left / Right)

2 (2'/2')  
8.947 - 11.97

Through Lanes

2  
8.947 - 11.97

Street Name

SR 589  
8.947 - 11.97

- |                     |                   |                      |              |
|---------------------|-------------------|----------------------|--------------|
| Non-divided Highway | Bridge (on route) | Railroad (at grade)  | Intersection |
| Divided Highway     | Underpass         | Railroad (underpass) |              |
| Secondary Segment   | Overpass          | Railroad (overpass)  |              |
| Corporation         |                   |                      |              |

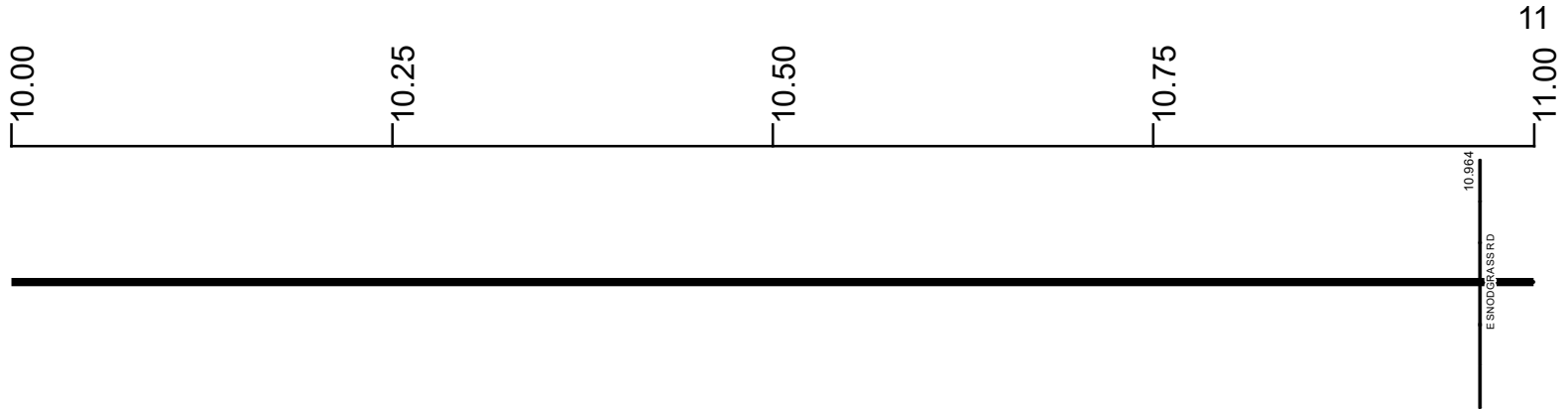
Created on: 7/3/2025



transportation.ohio.gov  
Prepared by  
The Ohio Department of Transportation  
Office of Technical Services  
Roadway Information

# SMIASR00589\*\*C

State True Log  
County True Log



Surface Type & Width (Left / Right)

G (5'/19')  
8.947 - 11.97

Base Type (Left / Right)

L / I  
8.947 - 11.97

Shoulder Type & Width (Left / Right)

2 (2'/2')  
8.947 - 11.97

Through Lanes

2  
8.947 - 11.97

Street Name

SR 589  
8.947 - 11.97

- |                     |                   |                      |              |
|---------------------|-------------------|----------------------|--------------|
| Non-divided Highway | Bridge (on route) | Railroad (at grade)  | Intersection |
| Divided Highway     | Underpass         | Railroad (underpass) |              |
| Secondary Segment   | Overpass          | Railroad (overpass)  |              |
| Corporation         |                   |                      |              |

Created on: 7/3/2025



transportation.ohio.gov  
Prepared by  
The Ohio Department of Transportation  
Office of Technical Services  
Roadway Information

# SMIASR00589\*\*C

State True Log

11.97

County True Log

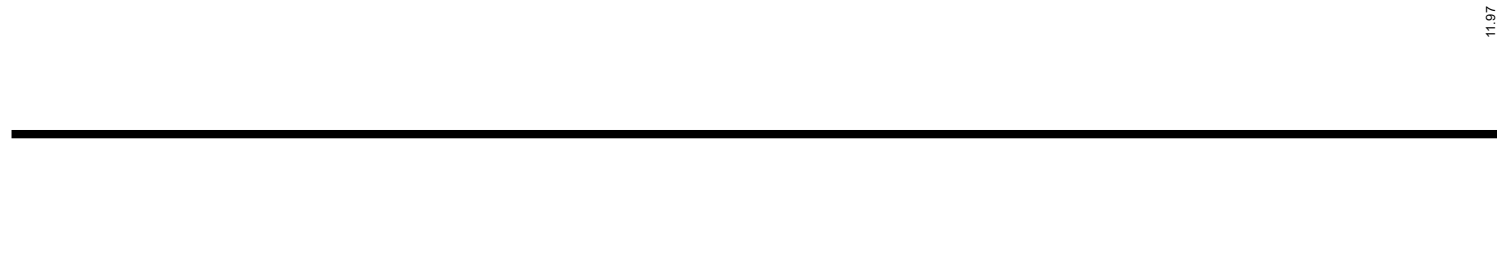
11.00

11.25

11.50

11.75

12.00



Surface Type & Width (Left / Right)

G (5/19')  
8.947 - 11.97

Base Type (Left / Right)

L / I  
8.947 - 11.97

Shoulder Type & Width (Left / Right)

2 (2/2')  
8.947 - 11.97

Through Lanes

2  
8.947 - 11.97

Street Name

SR 589  
8.947 - 11.97

- |                     |                   |                      |              |
|---------------------|-------------------|----------------------|--------------|
| Non-divided Highway | Bridge (on route) | Railroad (at grade)  | Intersection |
| Divided Highway     | Underpass         | Railroad (underpass) |              |
| Secondary Segment   | Overpass          | Railroad (overpass)  |              |
| Corporation         |                   |                      |              |

Created on: 7/3/2025



transportation.ohio.gov

Prepared by  
The Ohio Department of Transportation  
Office of Technical Services  
Roadway Information

## Historical Project List for SMIASR00589\*\*C

Begin Measure	End Measure	Project ID Number	Construction Completion Date	Treatment Category	Treatment Type
0.050	6.472	88522	1-2016	Minor Rehabilitation	60-AC Overlay w/Rpr
8.947	11.970	105369	12-2019	Preventive Maintenance	25-Chip Seal
8.947	11.970	83948	6-2011	Minor Rehabilitation	60-AC Overlay w/Rpr

# Roadway Codes

## Access Control Journalized

- F - Full Access Control
- L - Limited Access Control
- N - No Access Control

## Access Control Operational

- 1 - Full Access Control
- 2 - Partial Access Control
- 3 - No Access Control

## Base Type

- F - Crack and Seat
- H - Rubblize and Roll
- I - Aggregate Base 304 or Traffic Compacted
- K - Water Bound Macadam
- L - Bituminous Concrete Mix or Penetration Macadam
- N - Plain Concrete
- P - Reinforced Concrete
- R - Brick (Flexible)
- T - Brick (Rigid)

## Direction of Travel

- B - Both (Two-way)
- F - One-way Cardinal
- T - One-way Non-cardinal

## Facility Type

- 1 - One-way Roadway
- 2 - Two-way Roadway
- 4 - Ramp
- 5 - Non-mainline
- 6 - Non-inventory Direction
- 7 - Planned / Unbuilt

## Historical Federal Aid Indicator

- N - Not a FAP Route
- Y - FAP Route

## Functional Classification

- 01 - Interstate
- 02 - Principal Arterial (Freeways)
- 03 - Principal Arterial (Other)
- 04 - Minor Arterial
- 05 - Major Collector
- 06 - Minor Collector
- 07 - Local

## Leave / Reenter Indicator

- Y - Route leaves/reenters at this point
- N - Route does not leave/reenter at this point

## Median Type

- 1 - None
- 2 - Unprotected
- 3 - Curbed
- 4 - Positive Barrier (Unspecified)
- 5 - Positive Barrier (Flexible)
- 6 - Positive Barrier (Semi-rigid)
- 7 - Positive Barrier (Rigid)

## NHS

- N - National Highway System
- H - Congressional Corridor
- 2 - Major Airport
- 3 - Major Port Facility
- 4 - Major Amtrak Station
- 5 - Major Rail / Truck Terminal
- 6 - Major Intercity Bus Terminal
- 7 - Major Public Transit / Multi-modal Passenger Terminal
- 8 - Major Pipeline Terminal
- 9 - Major Ferry Terminal

## Priority System

- G - General
- P - Priority System
- U - Urban

## Scenic Byway Code

- A - All American Road
- N - National Scenic Byway
- S - State Scenic Byway

## Shoulder Type

- 1 - None
- 2 - Surfaced shoulder exists (bituminous concrete {AC})
- 3 - Surfaced shoulder exists (Portland Cement Concrete {PCC})
- 4 - Stabilized shoulder exists (gravel or other granular material)
- 5 - Combination shoulder exists (two or more surface types)
- 6 - Earth shoulder exists
- 7 - Barrier curb exists; no shoulder in front of curb

## Surface Type

- A - Combination
- B - Brick
- C - Continuous Reinforced Concrete
- D - Reinforced Concrete
- E - Plain Concrete
- G - Bituminous Concrete
- I - Chipseal on Granular
- K - Open Graded Bituminous
- L - Chipseal or Micro
- M - Gravel
- U - Unimproved
- X - Right of Way Only