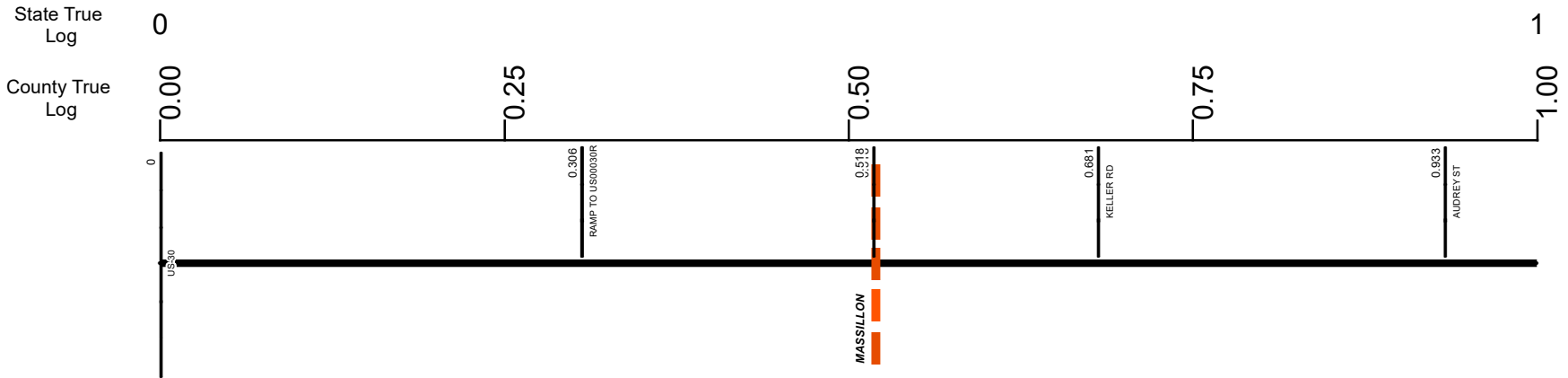


SSTASR00627**C



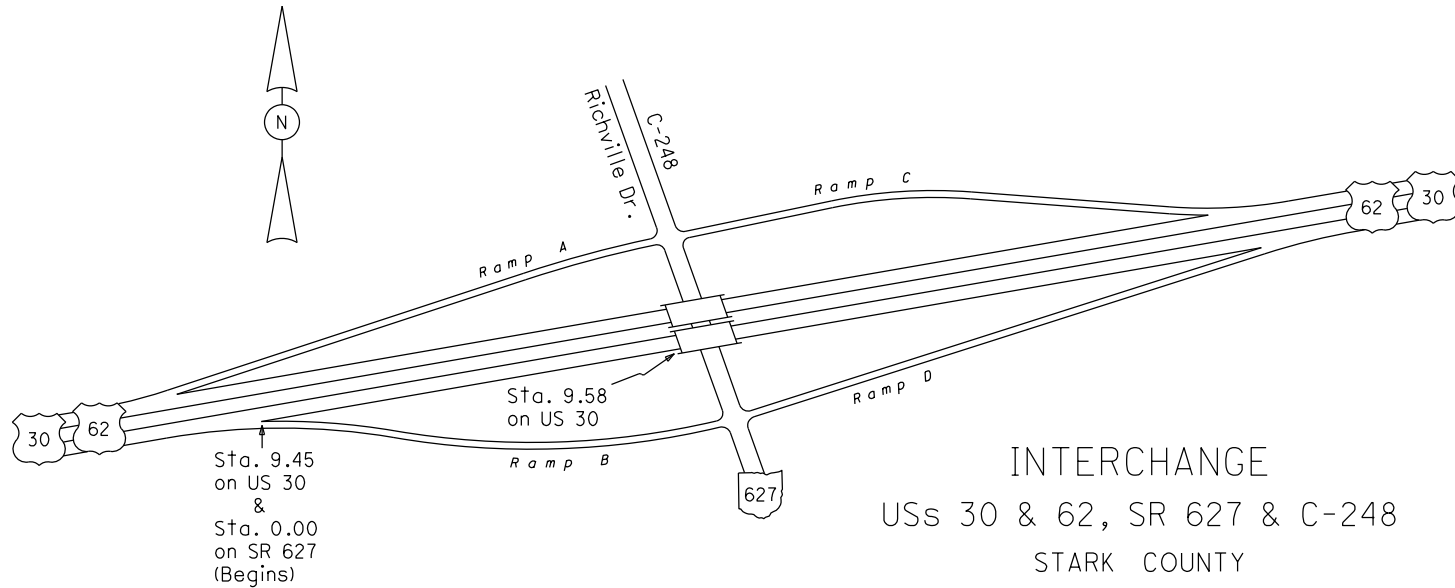
Surface Type & Width (Left / Right)	
G 32' 0 - 0.306	G 20' 0.306 - 4.712
Base Type (Left / Right)	
L 0 - 0.306	I 0.306 - 4.712
Shoulder Type & Width (Left / Right)	
2 (0'6") 0 - 0.306	5 (4'4") 0.306 - 4.712
Resurface Year	
2023 0.518 - 3.421	
Through Lanes	
2 0 - 4.984	
Street Name	
SR 627 0 - 0.306	RICHVILLE DR 0.306 - 0.518 0.518 - 1.348

<ul style="list-style-type: none"> Non-divided Highway Divided Highway Secondary Segment Corporation 	<ul style="list-style-type: none"> Bridge (on route) Underpass Overpass 	<ul style="list-style-type: none"> Railroad (at grade) Railroad (underpass) Railroad (overpass) 	<ul style="list-style-type: none"> Intersection
--	---	---	---

Created on: 7/8/2025

transportation.ohio.gov

Prepared by
The Ohio Department of Transportation
Office of Technical Services
Roadway Information

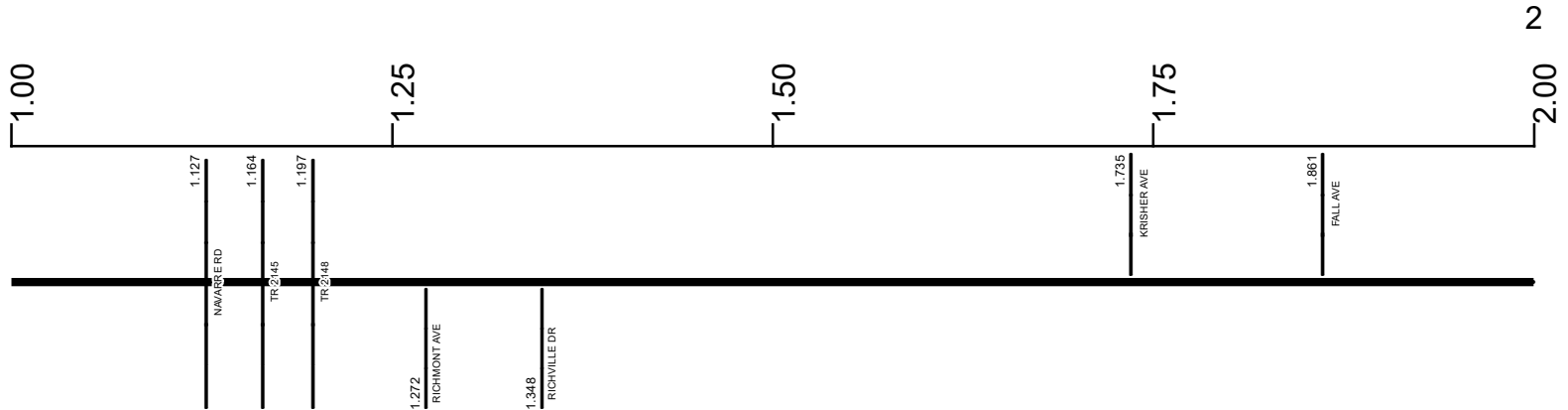


INTERCHANGE
 USs 30 & 62, SR 627 & C-248
 STARK COUNTY
 INTERCHANGE ID NUMBER = 082100

SSTASR00627**C

State True Log

County True Log



Surface Type & Width (Left / Right)

G 20'
0.306 - 4.712

Base Type (Left / Right)

I
0.306 - 4.712

Shoulder Type & Width (Left / Right)

5 (4/4')
0.306 - 4.712

Resurface Year

2023
0.518 - 3.421

Through Lanes

2
0 - 4.984

Street Name

RICHVILLE DR 0.518 - 1.348		FAIRCREST ST 1.348 - 4.712
-------------------------------	--	-------------------------------

- | | | | |
|---------------------|-------------------|----------------------|--------------|
| Non-divided Highway | Bridge (on route) | Railroad (at grade) | Intersection |
| Divided Highway | Underpass | Railroad (underpass) | |
| Secondary Segment | Overpass | Railroad (overpass) | |
| Corporation | | | |

Created on: 7/8/2025

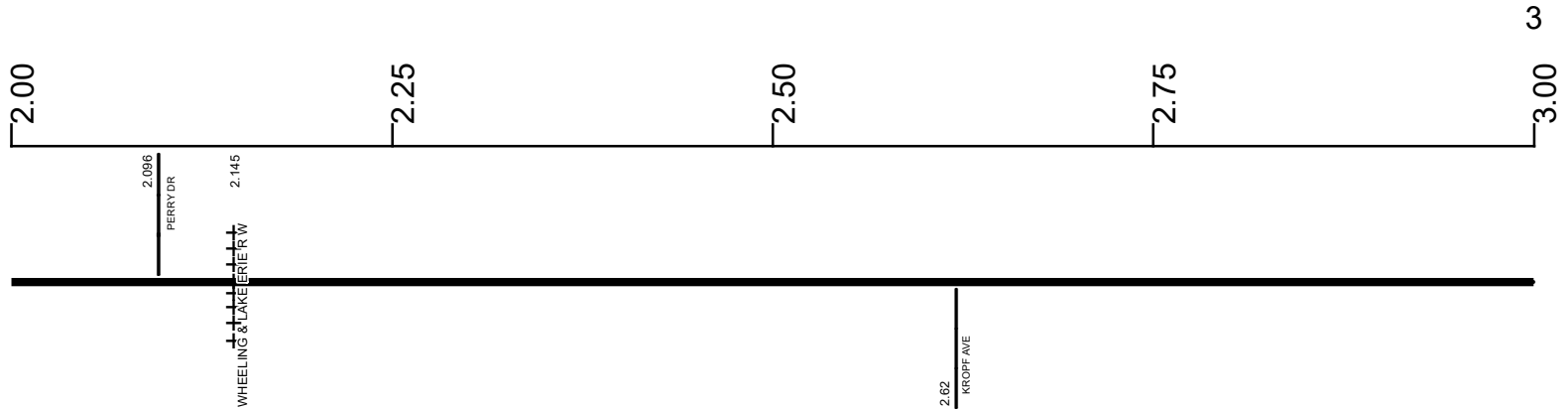
transportation.ohio.gov

Prepared by
The Ohio Department of Transportation
Office of Technical Services
Roadway Information

SSTASR00627**C

State True Log

County True Log



Surface Type & Width (Left / Right)

G 20'
0.306 - 4.712

Base Type (Left / Right)

I
0.306 - 4.712

Shoulder Type & Width (Left / Right)

5 (4/4)
0.306 - 4.712

Resurface Year

2023

Through Lanes

2
0 - 4.984

Street Name

FAIRCREST ST
1.348 - 4.712

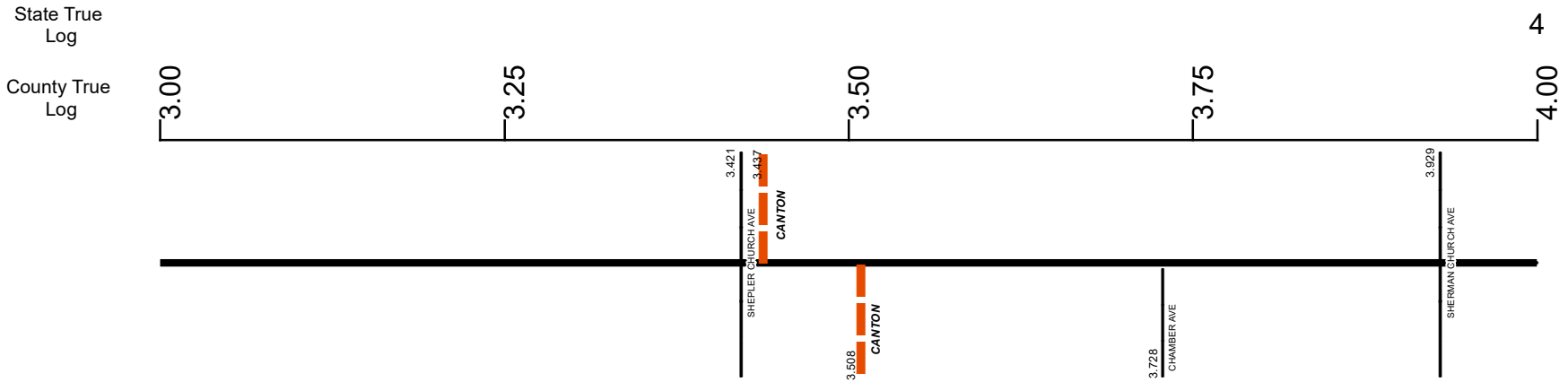
- | | | | |
|---------------------|-------------------|----------------------|--------------|
| Non-divided Highway | Bridge (on route) | Railroad (at grade) | Intersection |
| Divided Highway | Underpass | Railroad (underpass) | |
| Secondary Segment | Overpass | Railroad (overpass) | |
| Corporation | | | |

Created on: 7/8/2025



transportation.ohio.gov
 Prepared by
 The Ohio Department of Transportation
 Office of Technical Services
 Roadway Information

SSTASR00627**C



Surface Type & Width (Left / Right)	G 20'
	0.306 - 4.712
Base Type (Left / Right)	I
	0.306 - 4.712
Shoulder Type & Width (Left / Right)	5 (4/4')
	0.306 - 4.712
Resurface Year	2023
	0.518 - 3.421
Through Lanes	2
	0 - 4.984
Street Name	FAIRCREST ST
	1.348 - 4.712

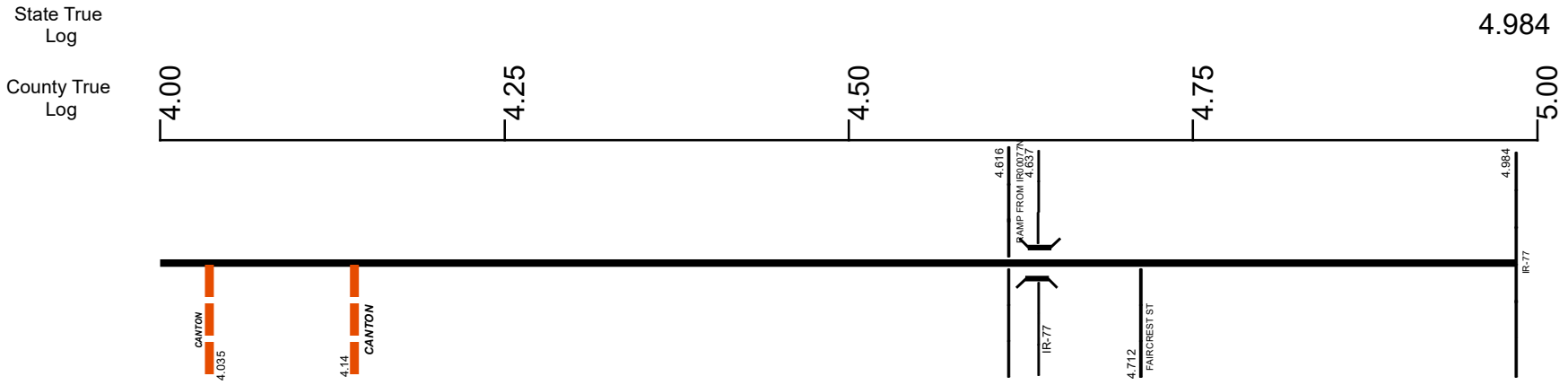
<ul style="list-style-type: none"> Non-divided Highway Divided Highway Secondary Segment Corporation 	<ul style="list-style-type: none"> Bridge (on route) Underpass Overpass 	<ul style="list-style-type: none"> Railroad (at grade) Railroad (underpass) Railroad (overpass) 	<ul style="list-style-type: none"> Intersection
---	---	---	---

Created on: 7/8/2025

transportation.ohio.gov

Prepared by
The Ohio Department of Transportation
Office of Technical Services
Roadway Information

SSTASR00627**C



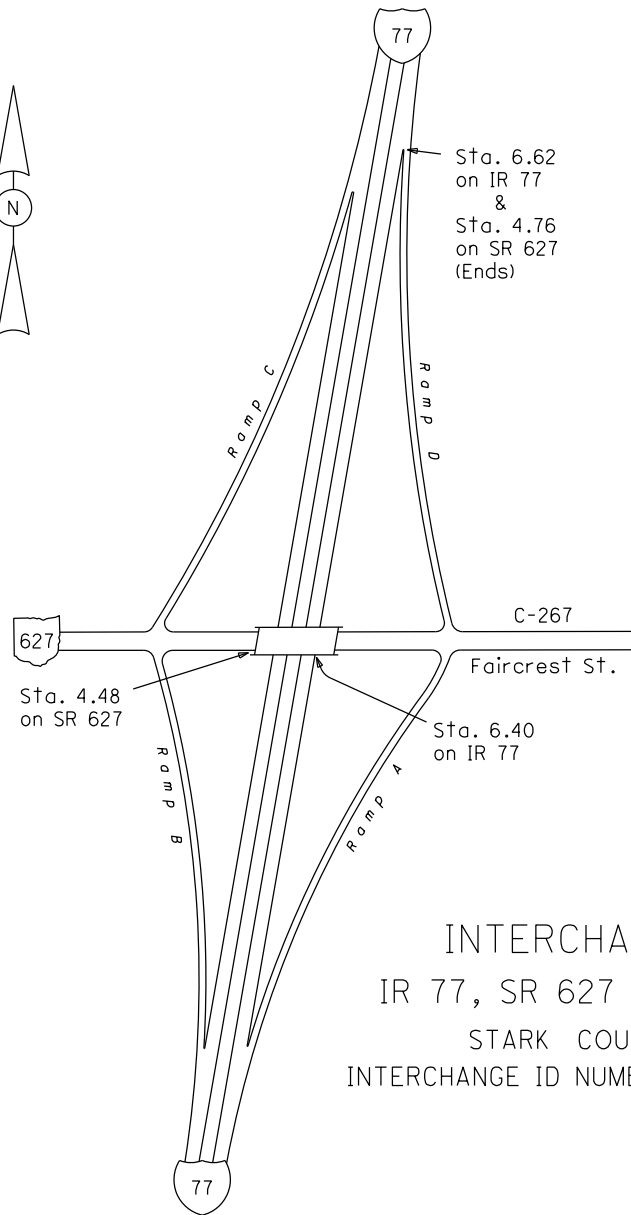
Surface Type & Width (Left / Right)	G 20' 0.306 - 4.712	G 32' 4.712 - 4.984
Base Type (Left / Right)	I 0.306 - 4.712	L 4.712 - 4.984
Shoulder Type & Width (Left / Right)	5 (4/4') 0.306 - 4.712	5 (0/12') 4.712 - 4.984
Through Lanes	2 0 - 4.984	
Street Name	FAIRCREST ST 1.348 - 4.712	FAIRCREST ST SW TO I 77 N 4.712 - 4.984

- | | | | |
|--|---|---|---|
| <ul style="list-style-type: none"> Non-divided Highway Divided Highway Secondary Segment Corporation | <ul style="list-style-type: none"> Bridge (on route) Underpass Overpass | <ul style="list-style-type: none"> Railroad (at grade) Railroad (underpass) Railroad (overpass) | <ul style="list-style-type: none"> Intersection |
|--|---|---|---|

Created on: 7/8/2025

transportation.ohio.gov

Prepared by
The Ohio Department of Transportation
Office of Technical Services
Roadway Information



INTERCHANGE
IR 77, SR 627 & C-267
STARK COUNTY
INTERCHANGE ID NUMBER = 081100

Historical Project List for SSTASR00627**C

Begin Measure	End Measure	Project ID Number	Construction Completion Date	Treatment Category	Treatment Type
0.306	4.712	86936	9-2015	Minor Rehabilitation	60-AC Overlay w/Rpr
0.306	4.691	76642	8-2004	Minor Rehabilitation	38-Fine Poly AC Overlay
0.528	3.481	110674	12-2023	Minor Rehabilitation	38-Fine Poly AC Overlay

Roadway Codes

Access Control Journalized

- F - Full Access Control
- L - Limited Access Control
- N - No Access Control

Access Control Operational

- 1 - Full Access Control
- 2 - Partial Access Control
- 3 - No Access Control

Base Type

- F - Crack and Seat
- H - Rubblize and Roll
- I - Aggregate Base 304 or Traffic Compacted
- K - Water Bound Macadam
- L - Bituminous Concrete Mix or Penetration Macadam
- N - Plain Concrete
- P - Reinforced Concrete
- R - Brick (Flexible)
- T - Brick (Rigid)

Direction of Travel

- B - Both (Two-way)
- F - One-way Cardinal
- T - One-way Non-cardinal

Facility Type

- 1 - One-way Roadway
- 2 - Two-way Roadway
- 4 - Ramp
- 5 - Non-mainline
- 6 - Non-inventory Direction
- 7 - Planned / Unbuilt

Historical Federal Aid Indicator

- N - Not a FAP Route
- Y - FAP Route

Functional Classification

- 01 - Interstate
- 02 - Principal Arterial (Freeways)
- 03 - Principal Arterial (Other)
- 04 - Minor Arterial
- 05 - Major Collector
- 06 - Minor Collector
- 07 - Local

Leave / Reenter Indicator

- Y - Route leaves/reenters at this point
- N - Route does not leave/reenter at this point

Median Type

- 1 - None
- 2 - Unprotected
- 3 - Curbed
- 4 - Positive Barrier (Unspecified)
- 5 - Positive Barrier (Flexible)
- 6 - Positive Barrier (Semi-rigid)
- 7 - Positive Barrier (Rigid)

NHS

- N - National Highway System
- H - Congressional Corridor
- 2 - Major Airport
- 3 - Major Port Facility
- 4 - Major Amtrak Station
- 5 - Major Rail / Truck Terminal
- 6 - Major Intercity Bus Terminal
- 7 - Major Public Transit / Multi-modal Passenger Terminal
- 8 - Major Pipeline Terminal
- 9 - Major Ferry Terminal

Priority System

- G - General
- P - Priority System
- U - Urban

Scenic Byway Code

- A - All American Road
- N - National Scenic Byway
- S - State Scenic Byway

Shoulder Type

- 1 - None
- 2 - Surfaced shoulder exists (bituminous concrete {AC})
- 3 - Surfaced shoulder exists (Portland Cement Concrete {PCC})
- 4 - Stabilized shoulder exists (gravel or other granular material)
- 5 - Combination shoulder exists (two or more surface types)
- 6 - Earth shoulder exists
- 7 - Barrier curb exists; no shoulder in front of curb

Surface Type

- A - Combination
- B - Brick
- C - Continuous Reinforced Concrete
- D - Reinforced Concrete
- E - Plain Concrete
- G - Bituminous Concrete
- I - Chipseal on Granular
- K - Open Graded Bituminous
- L - Chipseal or Micro
- M - Gravel
- U - Unimproved
- X - Right of Way Only