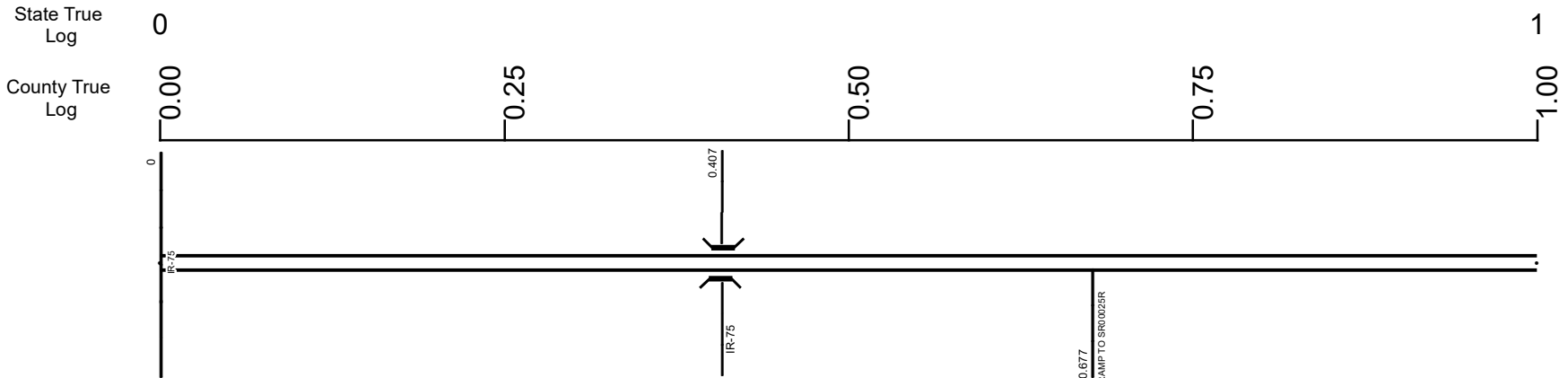


SWOOIR00475**C



Surface Type & Width (Left / Right)	G 30' 0 - 1.175
Base Type (Left / Right)	P 0 - 4.014
Shoulder Type & Width (Left / Right)	2 (14'/14') 0 - 1.175
Median Type and Width	2 (200') 0 - 1.175
Through Lanes	4 0 - 4.014
Street Name	IR 475 0 - 4.014

Non-divided Highway	Bridge (on route)	Railroad (at grade)	Intersection
Divided Highway	Underpass	Railroad (underpass)	
Secondary Segment	Overpass	Railroad (overpass)	
Corporation			

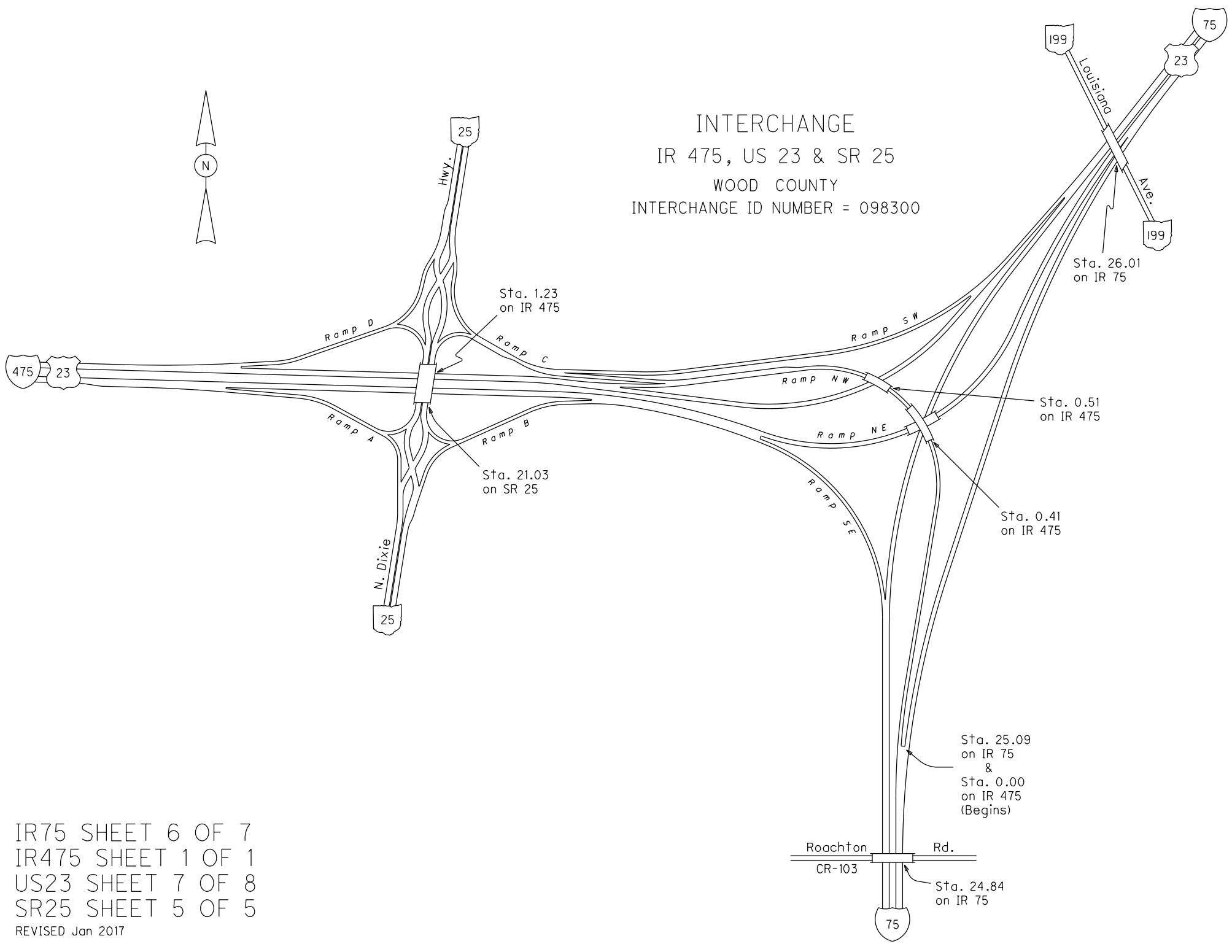
Created on: 6/18/2025



transportation.ohio.gov
 Prepared by
 The Ohio Department of Transportation
 Office of Technical Services
 Roadway Information



INTERCHANGE
IR 475, US 23 & SR 25
WOOD COUNTY
INTERCHANGE ID NUMBER = 098300

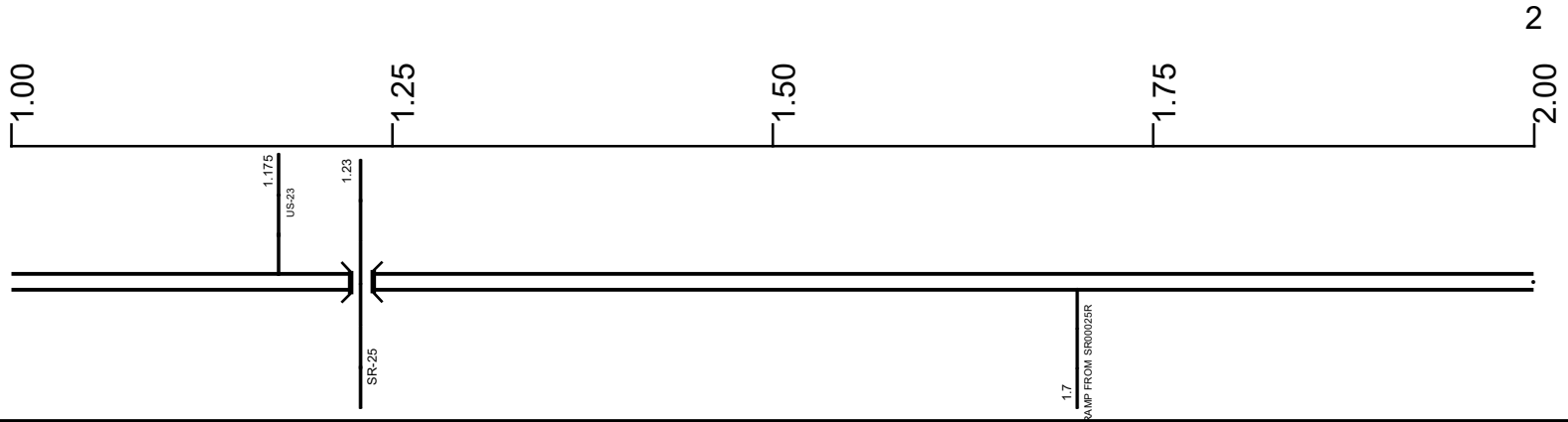


IR75 SHEET 6 OF 7
IR475 SHEET 1 OF 1
US23 SHEET 7 OF 8
SR25 SHEET 5 OF 5
REVISED Jan 2017

SWOOIR00475**C

State True Log

County True Log



Surface Type & Width (Left / Right)

G 30'	G 48'
0 - 1.175	1.175 - 4.014

Base Type (Left / Right)

P	
0 - 4.014	

Shoulder Type & Width (Left / Right)

2 (14'/14')	2 (24'/24')
0 - 1.175	1.175 - 4.014

Median Type and Width

2 (200')	2 (84')
0 - 1.175	1.175 - 3.663

Through Lanes

4	
0 - 4.014	

Street Name

IR 475	
0 - 4.014	

- Non-divided Highway
 Bridge (on route)
 Railroad (at grade)
 Intersection
- Divided Highway
 Underpass
 Railroad (underpass)
- Secondary Segment
 Overpass
 Railroad (overpass)
- Corporation**

Created on: 6/18/2025

transportation.ohio.gov

Prepared by
The Ohio Department of Transportation
Office of Technical Services
Roadway Information

SWOOIR00475**C

State True Log

3

County True Log

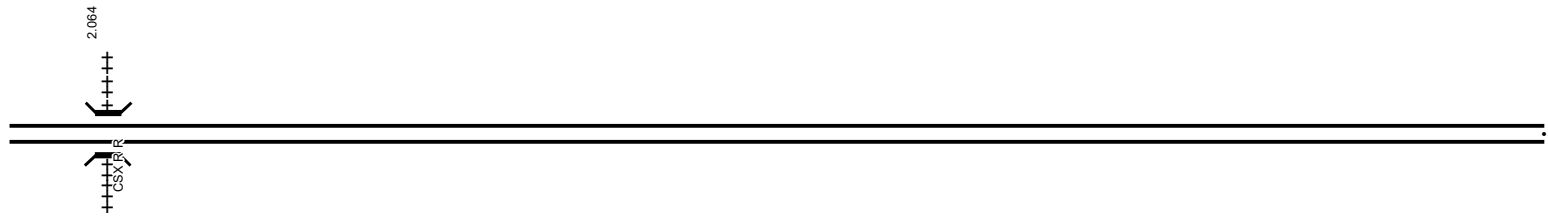
2.00

2.25

2.50

2.75

3.00



Surface Type & Width (Left / Right)

G 48'
1.175 - 4.014

Base Type (Left / Right)

P
0 - 4.014

Shoulder Type & Width (Left / Right)

2 (24'/24')
1.175 - 4.014

Median Type and Width

2 (84')
1.175 - 3.663

Through Lanes

4
0 - 4.014

Street Name

IR 475
0 - 4.014

- | | | | |
|---------------------|-------------------|----------------------|--------------|
| Non-divided Highway | Bridge (on route) | Railroad (at grade) | Intersection |
| Divided Highway | Underpass | Railroad (underpass) | |
| Secondary Segment | Overpass | Railroad (overpass) | |
| Corporation | | | |

Created on: 6/18/2025

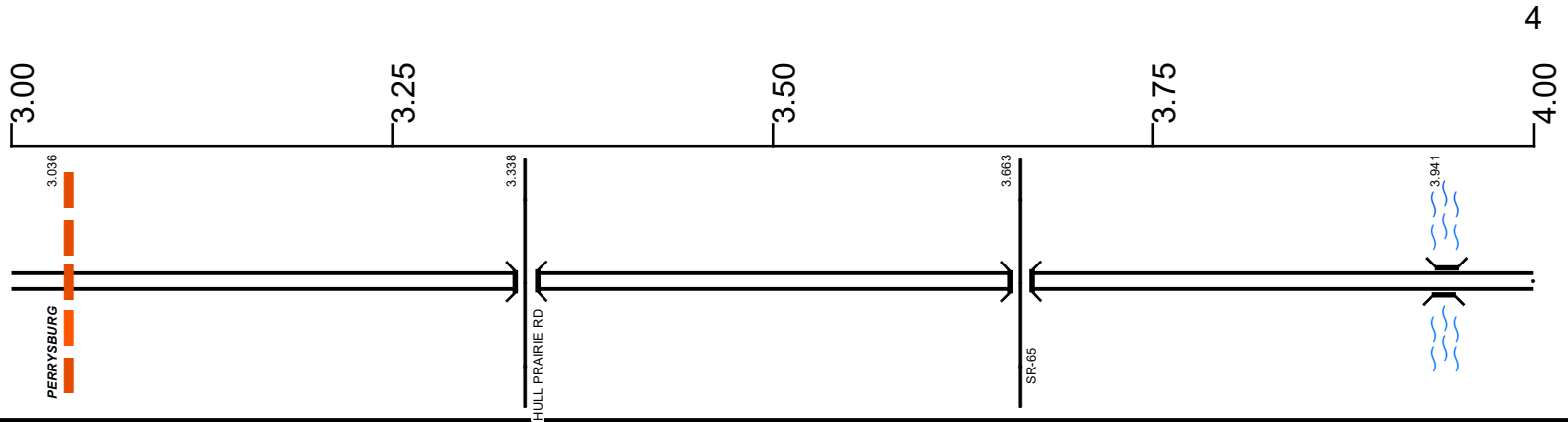


transportation.ohio.gov
 Prepared by
 The Ohio Department of Transportation
 Office of Technical Services
 Roadway Information

SWOOIR00475**C

State True Log

County True Log



Surface Type & Width (Left / Right)

G 48'
1.175 - 4.014

Base Type (Left / Right)

P
0 - 4.014

Shoulder Type & Width (Left / Right)

2 (24'/24')
1.175 - 4.014

Median Type and Width

2 (84') 1.175 - 3.663	4 (84') 3.663 - 4.014
----------------------------	----------------------------

Through Lanes

4
0 - 4.014

Street Name

IR 475
0 - 4.014

- | | | | |
|---------------------|-------------------|----------------------|--------------|
| Non-divided Highway | Bridge (on route) | Railroad (at grade) | Intersection |
| Divided Highway | Underpass | Railroad (underpass) | |
| Secondary Segment | Overpass | Railroad (overpass) | |
| Corporation | | | |

Created on: 6/18/2025

transportation.ohio.gov

Prepared by
The Ohio Department of Transportation
Office of Technical Services
Roadway Information

SWOOIR00475**C

State True Log 4.014



I.I

Surface Type & Width (Left / Right)

G 48'

Base Type (Left / Right)

P

0 - 4.014

Shoulder Type & Width (Left / Right)

2 (24'/24')

1.175 - 4.014

Median Type and Width

4 (84')

3.663 - 4.014

Through Lanes

4

0 - 4.014

Street Name

IR 475

0 - 4.014

Non-divided Highway	Bridge (on route)	Railroad (at grade)	Intersection
Divided Highway	Underpass	Railroad (underpass)	
Secondary Segment	Overpass	Railroad (overpass)	
Corporation			

Created on: 6/18/2025

transportation.ohio.gov
 Prepared by
 The Ohio Department of Transportation
 Office of Technical Services
 Roadway Information

Historical Project List for SWOOIR00475**C

Begin Measure	End Measure	Project ID Number	Construction Completion Date	Treatment Category	Treatment Type
0.000	1.336	25521	8-2018	New Construction	200-New Pavement
1.626	4.014	88646	8-2016	Minor Rehabilitation	60-AC Overlay w/Rpr

Roadway Codes

Access Control Journalized

- F - Full Access Control
- L - Limited Access Control
- N - No Access Control

Access Control Operational

- 1 - Full Access Control
- 2 - Partial Access Control
- 3 - No Access Control

Base Type

- F - Crack and Seat
- H - Rubblize and Roll
- I - Aggregate Base 304 or Traffic Compacted
- K - Water Bound Macadam
- L - Bituminous Concrete Mix or Penetration Macadam
- N - Plain Concrete
- P - Reinforced Concrete
- R - Brick (Flexible)
- T - Brick (Rigid)

Direction of Travel

- B - Both (Two-way)
- F - One-way Cardinal
- T - One-way Non-cardinal

Facility Type

- 1 - One-way Roadway
- 2 - Two-way Roadway
- 4 - Ramp
- 5 - Non-mainline
- 6 - Non-inventory Direction
- 7 - Planned / Unbuilt

Historical Federal Aid Indicator

- N - Not a FAP Route
- Y - FAP Route

Functional Classification

- 01 - Interstate
- 02 - Principal Arterial (Freeways)
- 03 - Principal Arterial (Other)
- 04 - Minor Arterial
- 05 - Major Collector
- 06 - Minor Collector
- 07 - Local

Leave / Reenter Indicator

- Y - Route leaves/reenters at this point
- N - Route does not leave/reenter at this point

Median Type

- 1 - None
- 2 - Unprotected
- 3 - Curbed
- 4 - Positive Barrier (Unspecified)
- 5 - Positive Barrier (Flexible)
- 6 - Positive Barrier (Semi-rigid)
- 7 - Positive Barrier (Rigid)

NHS

- N - National Highway System
- H - Congressional Corridor
- 2 - Major Airport
- 3 - Major Port Facility
- 4 - Major Amtrak Station
- 5 - Major Rail / Truck Terminal
- 6 - Major Intercity Bus Terminal
- 7 - Major Public Transit / Multi-modal Passenger Terminal
- 8 - Major Pipeline Terminal
- 9 - Major Ferry Terminal

Priority System

- G - General
- P - Priority System
- U - Urban

Scenic Byway Code

- A - All American Road
- N - National Scenic Byway
- S - State Scenic Byway

Shoulder Type

- 1 - None
- 2 - Surfaced shoulder exists (bituminous concrete {AC})
- 3 - Surfaced shoulder exists (Portland Cement Concrete {PCC})
- 4 - Stabilized shoulder exists (gravel or other granular material)
- 5 - Combination shoulder exists (two or more surface types)
- 6 - Earth shoulder exists
- 7 - Barrier curb exists; no shoulder in front of curb

Surface Type

- A - Combination
- B - Brick
- C - Continuous Reinforced Concrete
- D - Reinforced Concrete
- E - Plain Concrete
- G - Bituminous Concrete
- I - Chipseal on Granular
- K - Open Graded Bituminous
- L - Chipseal or Micro
- M - Gravel
- U - Unimproved
- X - Right of Way Only